

Piston rod cylinders → Standard cylinders

ISO 6432, series MNI
 Accessories

Sensor, Series ST6

▶ 6 mm groove ▶ with cable ▶ without wire end ferrule, tin-plated



00112027_2

Ambient temperature min./max.	-25°C / +70°C
Protection class according to EN 60529:2000	IP 65IP 67
Switching point precision [mm]	±0,1
Switching capacity	3 W / 3 VA
Vibration resistance	10 - 55 Hz, 1 mm
Shock resistance	30 g / 11 ms

Materials:

Housing	Polyamide
Cable	Polyurethane

	Type of contact	Cable length L	DC operating voltage min./max.	Operational voltage AC min./max.	DC switching current, max.	AC switching current, max.	Part No.
		[m]	[V]	[V]	[A]	[A]	
	Reed	3	10 / 30	10 / 30	0,13	0,13	0830100629
		5					0830100630
		10					R412004575
	electronic PNP	3	10 / 30	-	0.1	0.1	0830100631
		5					0830100632
		10					R412004576
	electronic NPN	3	10 / 30	-	0.1	-	0830100633
		5					0830100634
Part No.	Voltage drop U at I _{max}	Protective resistor for reed	Max. switching frequency	Operating current, not switched	Operating current, switched	LED	Note
	[V]	[Ω]	[kHz]	[mA]	[mA]		
0830100629 0830100630 R412004575	I*Rs	15	< 0,3	-	< 10	Yellow	1)
0830100631 0830100632 R412004576	≤ 2,5	-	< 1,0	< 20	< 30	Yellow	2)
0830100633 0830100634	≤ 2,5	-	< 1,0	< 20	< 30	Yellow	2)

1) short circuit protected

2) short circuit resistant; short circuit protected

interfaces: without wire end ferrule, tin-plated

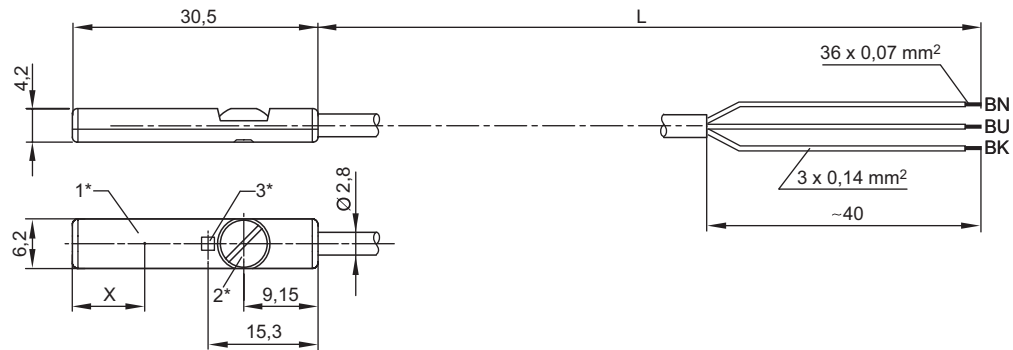
UL (Underwriters Laboratories)

Piston rod cylinders → Standard cylinders

ISO 6432, series MNI

Accessories

Dimensions



00111942_b

1* = switching point 2* = clamping screw 3* = LED

L = cable length

BN = brown, BK = black, BU = blue

X = electronic: 6 mm, Reed: 10 mm