

Piston rod cylinders → Standard cylinders

ISO 6432, series MNI
 Accessories

Guide unit, GH2

▶ Ø 12 - 25 mm ▶ linear ball bearing ▶ for standard cylinder ISO 6432



00127780

Ambient temperature min./max.

-20 °C / 80 °C

Materials:

Bearing housings

Aluminum, black anodized

Bearing type

Steel

Carrying plate

Aluminum, black anodized

Flexible coupling in carrying plate

Stainless steel

Guide rods

Stainless steel, ground

Technical Remarks

- Guide units for cylinder Ø 12 also fit on cylinder Ø 16

Suitable piston Ø		[mm]	12	20	25		
			Weight	0 mm stroke	[kg]	0.395	0.73
	10 mm stroke	[kg]	0.0078	0.012	0.012		

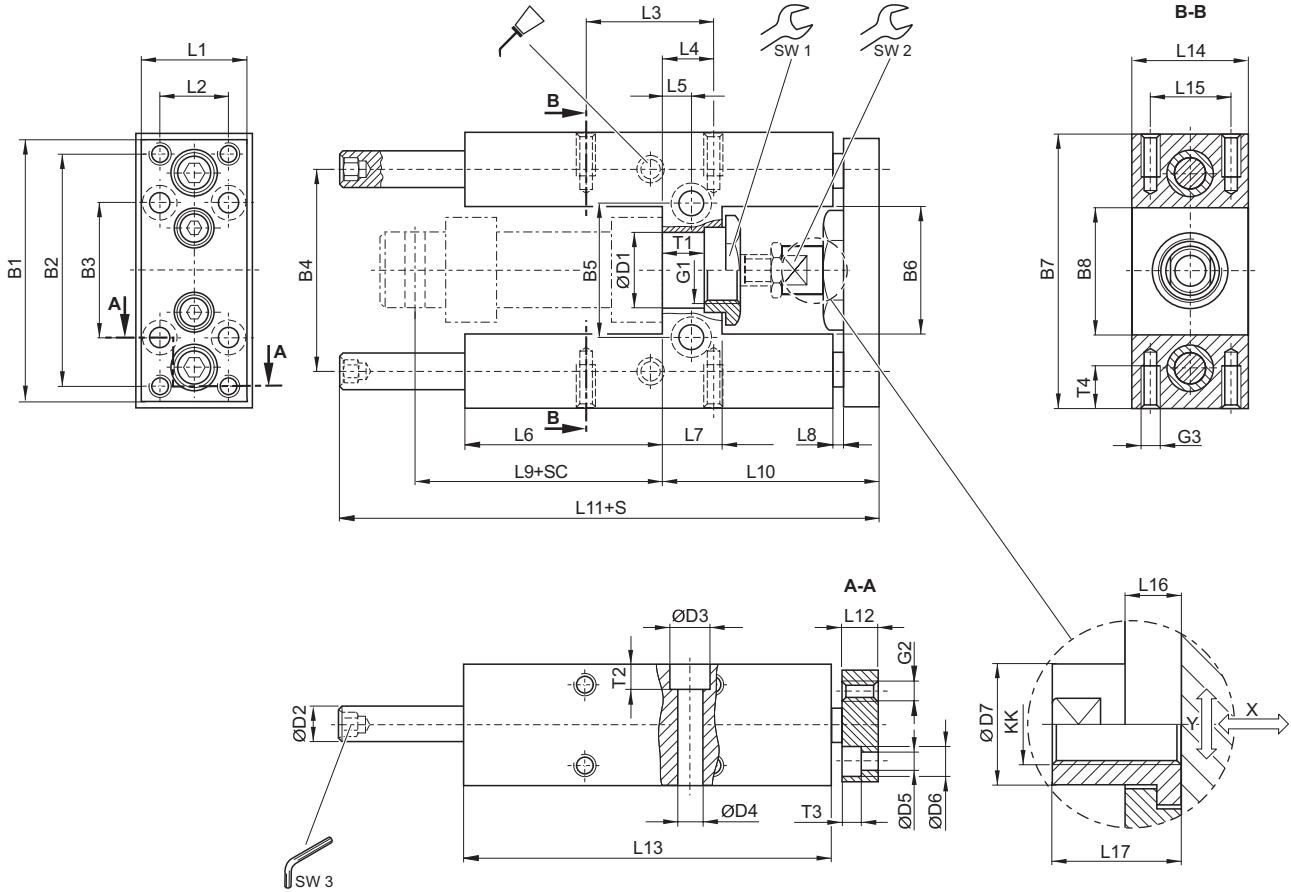
	Suitable piston Ø [mm] Min. play (radial) [mm]	12	20	25		
		1	1.5	1.5		
	Stroke 50	0821401395	0821401300	0821401310		
	100	0821401396	0821401301	0821401311		
	200	0821401397	-	-		
	250	-	0821401302	0821401312		
	400	-	0821401303	0821401313		
	600	-	0821401304	0821401314		
	800	-	0821401305	0821401315		

Piston rod cylinders → Standard cylinders

ISO 6432, series MNI

Accessories

Ø 12 - 25 mm



00127777

S = stroke
 SC = cylinder stroke
 X = max. play (axial)
 Y = min. play (radial)
 Hexagon in guide rod

Piston Ø	B1	B2	B3	B4	B5	B6	B7	B8	D1	D2	D3	D4	D5
12	63	54	32	46	24	27	65	27	16 H7	8	-	5.5	4.5
20	76	68	40	58	38	37	79	37	22 H7	10	11	6.6	5.5
25	76	68	40	58	38	37	79	37	22 H7	10	11	6.6	5.5

Piston Ø	D6	D7	G1	G2	G3	KK	L1	L2	L3	L4	L5	L6
12	8	10	M16x1,5	M4	M4	M6	27	15	32.5	11	6.5	37
20	10.5	14.5	M22x1,5	M5	M6	M8	32	20	32.5	15	8.5	58
25	10.5	14.5	M22x1,5	M5	M6	M10x1,25	32	20	32.5	15	8.5	58

Piston Ø	L7	L8	L9	L10	L11	L12	L13	L14	L15	L16	L17	SW1	SW2
12	13	3	52.6	51	133	10	75	30	22	7	18	19	8
20	17	3	71	65	160.5	12	108	34	23	6	22	27	13
25	17	3	76	65	160.5	12	108	34	23	6	17	27	13

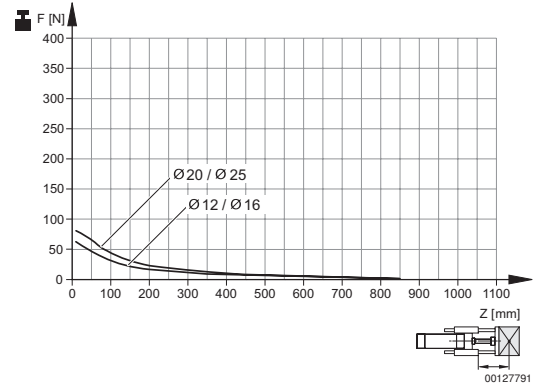
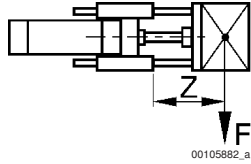
Piston Ø	SW3	T1	T2	T3	T4
12	4	10.6	-	4.6	8
20	5	11	7	5.7	14

Piston rod cylinders → Standard cylinders

ISO 6432, series MNI
Accessories

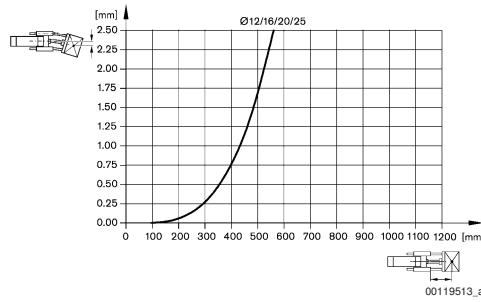
Piston Ø	SW3	T1	T2	T3	T4								
25	5	11	7	5.7	14								

Useful load



Service life 5×10^6 m
F = Useful load, Z = Projection

Bending due to own load



Bending due to 10 N load

