

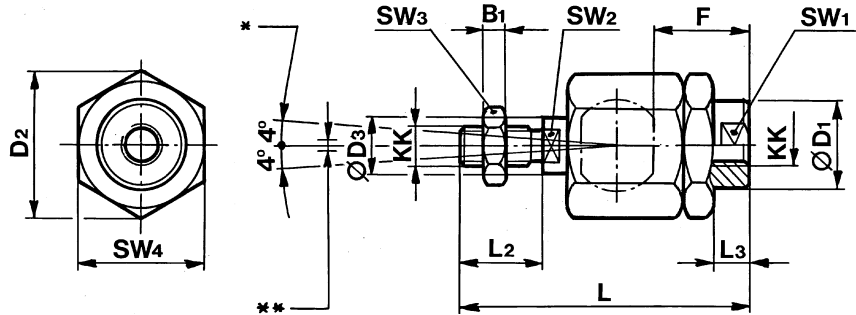
Piston rod cylinders → Standard cylinders

ISO 6432, series MNI
Accessories

Flexible spherical coupling, PM5



00105169



D300_029

* angle equalization
** Radial joint from 0,5 - 2 mm

Part No.	KK	B1	Ø D1	D2	Ø D3	F	L ±2	L2	L3 ±1	SW1	SW2	SW3
1826409008	M4	2.2	12	13.5	4	13	33	8	5.6	12	3.2	7
1826409000	M6	3.2	8.5	15	6	11.5	39	12	3.5	7	5	10
1826409001	M8	4	12.5	20	8	14.5	55	15	5	10	6	13
1826409002	M10x1,25	6	21.5	34	14	23	73	20	7.5	19	12	17

Part No.	SW4	Material	Surface	Weight [kg]					
1826409008	12	Steel	galvanized	0.02					
1826409000	13	Steel	galvanized	0.02					
1826409001	17	Steel	galvanized	0.05					
1826409002	30	Steel	galvanized	0.21					