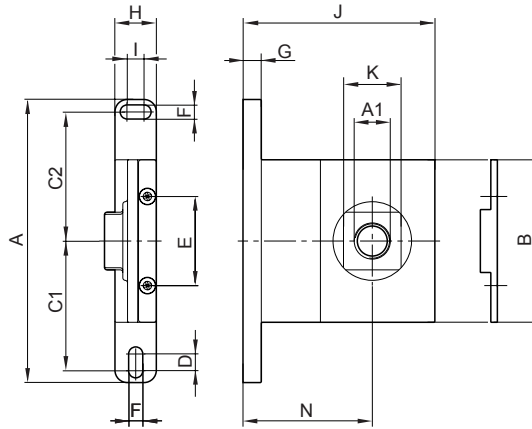


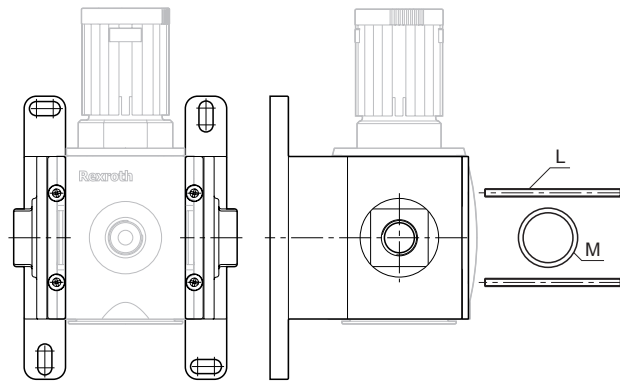
Preparation of compressed air → Maintenance units and components

Series AS2
Accessories

Block assembly kit, AS2-MBR-...-W05



InduParts Pneumatics B.V.B.A.
Sint-Jorisstraat 40
B-8800 ROESELARE
BELGIUM
Tel. +31 (0)51 22 58 88
Fax. +31 (0)51 22 58 98
info@induparts.com
www.induparts.com



Part No.	A1	A	B	C1	C2	D	E	F	G	H	I	J
R412006366	G 1/4	108	62	49.3	49.3	6.4	34	5.4	7	16	6.4	73
R412006367	G 3/8	108	62	49.3	49.3	6.4	34	5.4	7	16	6.4	73

Part No.	K	L	M	N	Material	Material Seal	Weight [kg]
R412006366	22	M3x53	19x1,8	49.4	Die cast zinc	Acrylonitrile Butadiene Rubber	0.475
R412006367	22	M3x53	19x1,8	49.4	Die cast zinc	Acrylonitrile Butadiene Rubber	0.475

Scope of delivery incl. 4 mounting screws M3x53-4.8-A2R according to EN ISO 7046-1 (countersunk screw with type H X-slot), 2x O-ring