

Preparation of compressed air → Maintenance units and components

Standard oil-mist lubricator, Series AS2-LBS

► G 1/4 - G 3/8 ► ATEX certified



00121761

InduParts Pneumatics B.V.B.A.
 Sint-Jorisstraat 40
 B-8800 ROESELARE
 BELGIUM
 Tel. +31 (0)51 22 58 88
 Fax. +31 (0)51 22 58 98
 info@induparts.com
 www.induparts.com

<p>ATEX Version</p> <p>Installation location</p> <p>Ambient temperature min./max.</p> <p>Medium temperature min./max.</p> <p>Working pressure min./max.</p> <p>Medium</p> <p>Lubricator reservoir volume</p> <p>Type of filling</p> <p>Oil type</p>	<p>II 2G2D T4 X</p> <p>Oil-mist lubricator, Can be assembled into blocks</p> <p>vertical</p> <p>-10°C / +50°C</p> <p>-10°C / +50°C</p> <p>0.5 bar / 16 bar</p> <p>Compressed air</p> <p>40 cm³</p> <p>Semi-automatic oil filling during operation</p> <p>Manual oil filling</p> <p>HLP 32 (DIN 51 524 - ISO VG 32)</p> <p>HLP 68 (DIN 51 524 - ISO VG 68)</p>
<p>Materials:</p> <p>Housing</p> <p>Threaded bushing</p> <p>Cover</p> <p>Seal</p>	<p>Polyamide</p> <p>Die cast zinc</p> <p>Acrylonitrile butadiene styrene</p> <p>Acrylonitrile Butadiene Rubber</p>

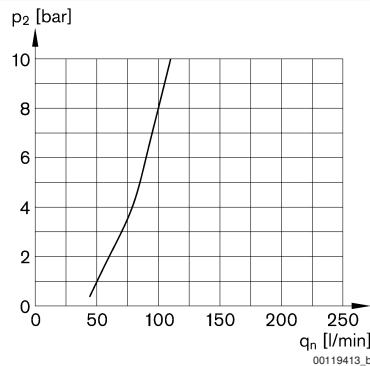
Technical Remarks

- Electrical level detection only with ST6 sensor with reed contact, sensor holder included in the scope of the delivery.
- Oil dosing at 1000 l/min [drops/min]: 1-2

	Port	Qn	Reservoir	Protective guard	Note	Weight	Part No.
		[l/min]				[kg]	
	G 1/4	2800	Polycarbonate	Polyamide	-	0.229	R412006225
	G 1/4	2800	Polycarbonate	Polyamide	1)		R412006226
	G 1/4	2800	Die cast zinc with window	-	-		R412006229
	G 3/8	3100	Polycarbonate	Polyamide	-		R412006231
	G 3/8	3100	Polycarbonate	Polyamide	1)		R412006232
	G 3/8	3100	Die cast zinc with window	-	-		R412006235

1) Electrical level detection: with external query
 Nominal flow Qn at 6.3 bar and Δp = 1 bar.

Lubricator activation margin

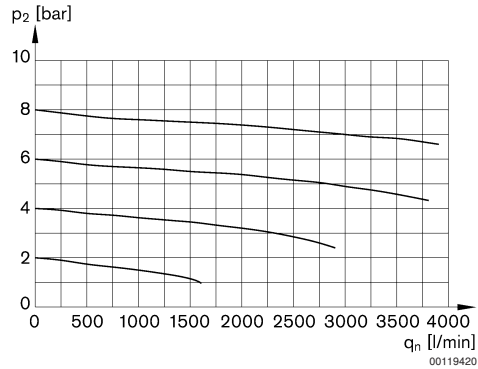
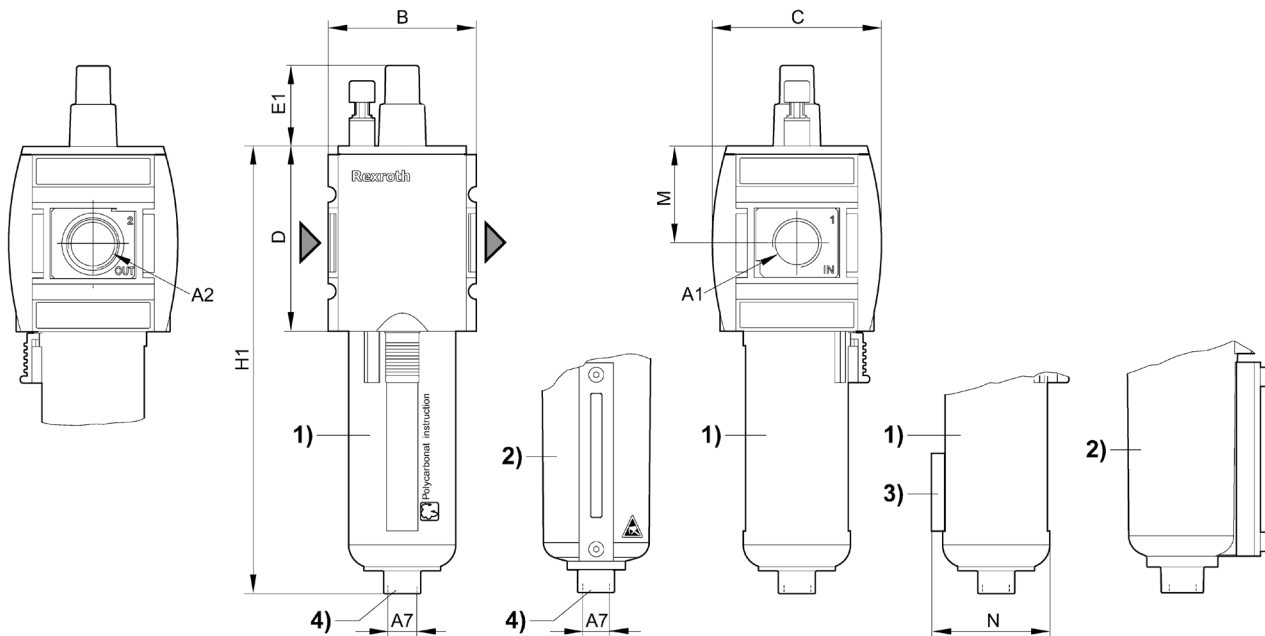


p2 = secondary pressure qn = nominal flow

Preparation of compressed air → Maintenance units and components

Standard oil-mist lubricator, Series AS2-LBS

► G 1/4 - G 3/8 ► ATEX certified

Flow rate characteristicp₂ = secondary pressure q_n = nominal flow**Dimensions**

00121354

- 1) Plastic reservoir and protective guard with window
- 2) Metal reservoir with inspection glass
- 3) Holder for sensor
- 4) Port for semi-automatic oil filling

A1	A2	A7	B	C	D	E1	H1	M	N				
G 1/4	G 1/4	G 1/8	52	59	65	29.5	157	34	42.5				
G 3/8	G 3/8	G 1/8	52	59	65	29.5	157	34	42.5				

InduParts Pneumatics B.V.B.A. - Sint-Jorisstraat 40 - B-8800 ROESELARE - Belgium
tel. + 32.(0)51.22.58.88 - fax. + 32.(0)51.22.58.98 - info@induparts.com