

Preparation of compressed air → Maintenance units and components

Microfilter, Series AS2-FLC

► G 1/4 - G 3/8 ► filter porosity: 0.01 µm ► contamination display: integrated ► ATEX certified



00119623

ATEX	II 2G2D T4 X
Version	Microfilter, Can be assembled into blocks
Installation location	vertical
Ambient temperature min./max.	-10 °C / +50 °C
Medium temperature min./max.	-10 °C / +50 °C
Working pressure min./max.	See table below
Medium	Compressed air
Filter element	exchangeable
filter porosity	0.01 µm
Filter reservoir volume	12 cm³
Materials:	
Housing	Polyamide
Threaded bushing	Die cast zinc
Cover	Acrylonitrile butadiene styrene
Seals	Acrylonitrile Butadiene Rubber
Filter insert	Borosilicate glass fiber

InduParts Pneumatics B.V.B.A.
 Sint-Jorisstraat 40
 B-8800 ROESELARE
 BELGIUM
 Tel. +31 (0)51 22 58 88
 Fax. +31 (0)51 22 58 98
 info@induparts.com
 www.induparts.com

Technical Remarks

- The pressure dew point must be at least 15 °C under ambient and medium temperature and may not exceed 3 °C.
- Recommended pre-filtering: 0.3 µm
- max. residual oil content at the outlet: 0.01 mg/m³
- solid impurities in the compressed air at the outlet as per ISO 8573-1: class 1

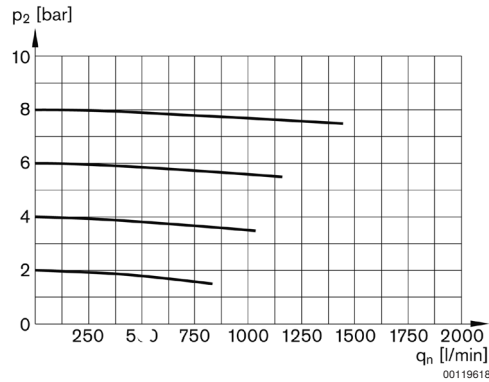
	Port	Qn	Working pressure min./max.	Condensate drain	Reservoir	Protective guard	Weight	Part No.	
		[l/min]					[kg]		
	G 1/4	300	1.5 / 16	semi-automatic, open without pressure	Polycarbonate	Polyamide	0.22	R412006054	
	G 1/4		1.5 / 16	fully automatic, open without pressure	Polycarbonate	Polyamide	0.263	R412006055	
	G 1/4		0 / 16	fully automatic, closed without pressure	Polycarbonate	Polyamide	0.263	R412006056	
	G 1/4		1.5 / 16	1.5 / 16	semi-automatic, open without pressure	Die cast zinc with window	-	0.485	R412006060
	G 1/4		1.5 / 16	1.5 / 16	fully automatic, open without pressure	Die cast zinc with window	-	0.564	R412006061
	G 1/4		0 / 16	0 / 16	fully automatic, closed without pressure	Die cast zinc with window	-	0.569	R412006062
	G 3/8		1.5 / 16	1.5 / 16	semi-automatic, open without pressure	Polycarbonate	Polyamide	0.22	R412006063
	G 3/8		1.5 / 16	1.5 / 16	fully automatic, open without pressure	Polycarbonate	Polyamide	0.263	R412006064
	G 3/8		0 / 16	0 / 16	fully automatic, closed without pressure	Polycarbonate	Polyamide	0.263	R412006065
	G 3/8		1.5 / 16	1.5 / 16	semi-automatic, open without pressure	Die cast zinc with window	-	0.474	R412006069
	G 3/8		1.5 / 16	1.5 / 16	fully automatic, open without pressure	Die cast zinc with window	-	0.554	R412006070
	G 3/8		0 / 16	0 / 16	fully automatic, closed without pressure	Die cast zinc with window	-	0.559	R412006071

Nominal flow Qn at 6.3 bar and Δp = 0.1 bar.

Preparation of compressed air → Maintenance units and components

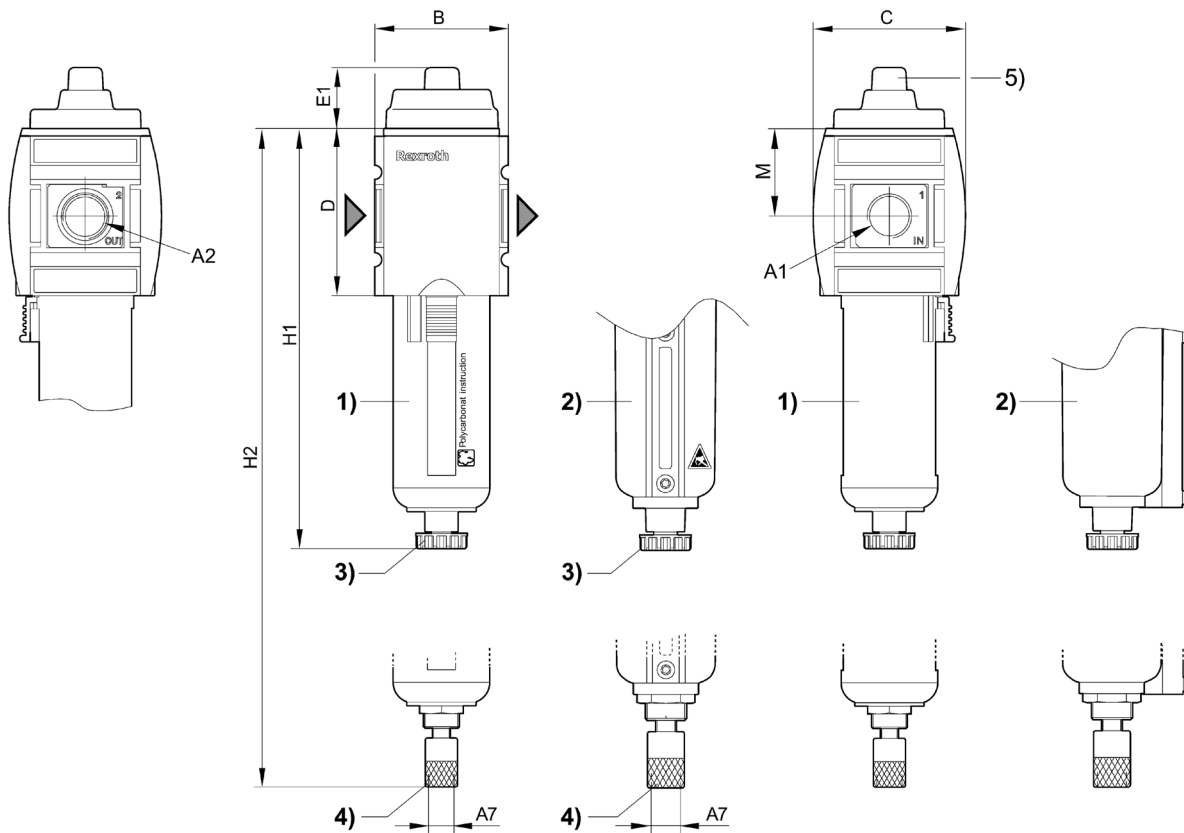
Microfilter, Series AS2-FLC

▶ G 1/4 - G 3/8 ▶ filter porosity: 0.01 µm ▶ contamination display: integrated ▶ ATEX certified

Flow rate characteristic**InduParts Pneumatics B.V.B.A.**

Sint-Jorisstraat 40
 B-8800 ROESELARE
 BELGIUM
 Tel. +31 (0)51 22 58 88
 Fax. +31 (0)51 22 58 98
 info@induparts.com
 www.induparts.com

p2 = secondary pressure qn = nominal flow

Dimensions

- 1) Plastic reservoir and protective guard with window
- 2) Metal reservoir with inspection glass
- 3) Semi-automatic condensate drain
- 4) Fully automatic condensate drain
- 5) contamination display

00119628

Part No.	A1	A2	A7	B	C	D	E1	H1	H2	M		
R412006054	G 1/4	G 1/4	G 1/8	52	59	65	24	163.5	180.5	34		

Part numbers marked in bold are available from the central warehouse in Germany, see the shopping basket for detailed information
 Pneumatics catalog, online PDF, as of 2010-01-14, © Bosch Rexroth AG, subject to change

Preparation of compressed air → Maintenance units and components

Microfilter, Series AS2-FLC

▶ G 1/4 - G 3/8 ▶ filter porosity: 0.01 µm ▶ contamination display: integrated ▶ ATEX certified

Part No.	A1	A2	A7	B	C	D	E1	H1	H2	M		
R412006055	G 1/4	G 1/4	G 1/8	52	59	65	24	163.5	180.5	34		
R412006056	G 1/4	G 1/4	G 1/8	52	59	65	24	163.5	180.5	34		
R412006060	G 1/4	G 1/4	G 1/8	52	59	65	24	163.5	180.5	34		
R412006061	G 1/4	G 1/4	G 1/8	52	59	65	24	163.5	180.5	34		
R412006062	G 1/4	G 1/4	G 1/8	52	59	65	24	163.5	180.5	34		
R412006063	G 3/8	G 3/8	G 1/8	52	59	65	24	163.5	180.5	34		
R412006064	G 3/8	G 3/8	G 1/8	52	59	65	24	163.5	180.5	34		
R412006065	G 3/8	G 3/8	G 1/8	52	59	65	24	163.5	180.5	34		
R412006069	G 3/8	G 3/8	G 1/8	52	59	65	24	163.5	180.5	34		
R412006070	G 3/8	G 3/8	G 1/8	52	59	65	24	163.5	180.5	34		
R412006071	G 3/8	G 3/8	G 1/8	52	59	65	24	163.5	180.5	34		

InduParts Pneumatics B.V.B.A. - Sint-Jorisstraat 40 - B-8800 ROESELARE - Belgium
tel. + 32.(0)51.22.58.88 - fax. + 32.(0)51.22.58.98 - info@induparts.com