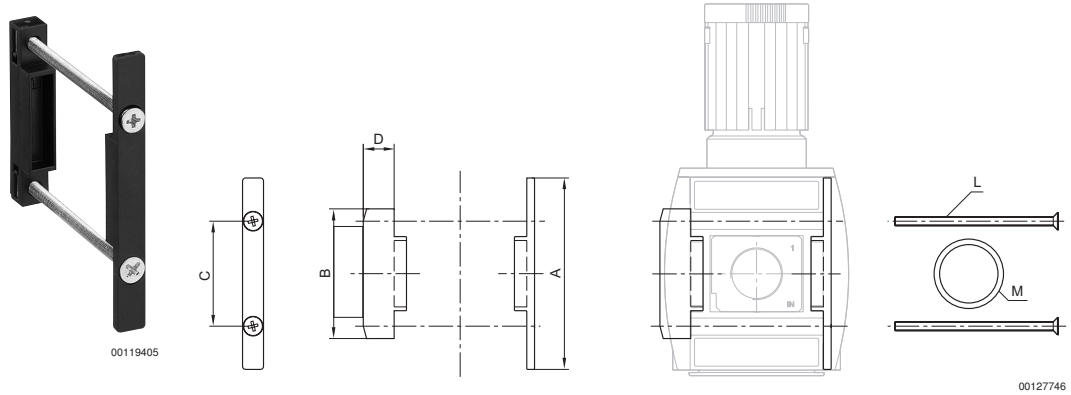


Preparation of compressed air → Maintenance units and components

Series AS2
Accessories

Block assembly kit, AS2-MBR-...-W04



Part No.	A	B	C	D	L	M	Material	Material Seal
R412006371	62	42	34	6	M3x53	19x1,8	Polyamide	Acrylonitrile Butadiene Rubber
Part No.	Weight [kg]							
R412006371	0.01							

Scope of delivery incl. 2 mounting screws M3x53-4.8-A2R according to EN ISO 7046-1 (countersunk screw with type H X-slot), 1x O-ring

InduParts Pneumatics B.V.B.A. - Sint-Jorisstraat 40 - B-8800 ROESELARE - Belgium
 tel. + 32.(0)51.22.58.88 - fax. + 32.(0)51.22.58.98 - info@induparts.com