

Preparation of compressed air → Maintenance units and components

Active carbon filter, Series AS2-FLA

► G 1/4 - G 3/8 ► ATEX certified



00127783

<p>ATEX Version</p> <p>Installation location</p> <p>Ambient temperature min./max.</p> <p>Medium temperature min./max.</p> <p>Working pressure min./max.</p> <p>Medium</p> <p>Filter element</p> <p>Filter reservoir volume</p> <p>Materials:</p> <p>Housing</p> <p>Threaded bushing</p> <p>Cover</p> <p>Seals</p> <p>Filter insert</p>	<p>II 2G2D T4 X</p> <p>Active carbon filter, Can be assembled into blocks</p> <p>vertical</p> <p>-10 °C / +50 °C</p> <p>-10 °C / +50 °C</p> <p>0 bar / 16 bar</p> <p>Compressed air</p> <p>exchangeable</p> <p>12 cm³</p> <p>Polyamide</p> <p>Die cast zinc</p> <p>Acrylonitrile butadiene styrene</p> <p>Acrylonitrile Butadiene Rubber</p> <p>Active carbon</p>
--	--

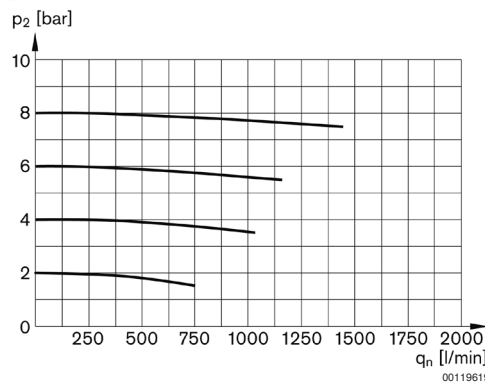
Technical Remarks

- The pressure dew point must be at least 15 °C under ambient and medium temperature and may not exceed 3 °C.
- Recommended pre-filtering: 0.01 μm
- max. residual oil content at the outlet: 0.005 mg/m³

	Port	Qn	Condensate drain	Reservoir	Protective guard	Weight	Part No.
		[l/min]				[kg]	
	G 1/4	650	without	Polycarbonate	Polyamide	0.22	R412006072
	G 1/4			Die cast zinc with window	-	0.454	R412006074
	G 3/8			Polycarbonate	Polyamide	0.22	R412006075
	G 3/8			Die cast zinc with window	-	0.44	R412006077

Nominal flow Qn at 6.3 bar and Δp = 0.1 bar.

Flow rate characteristic



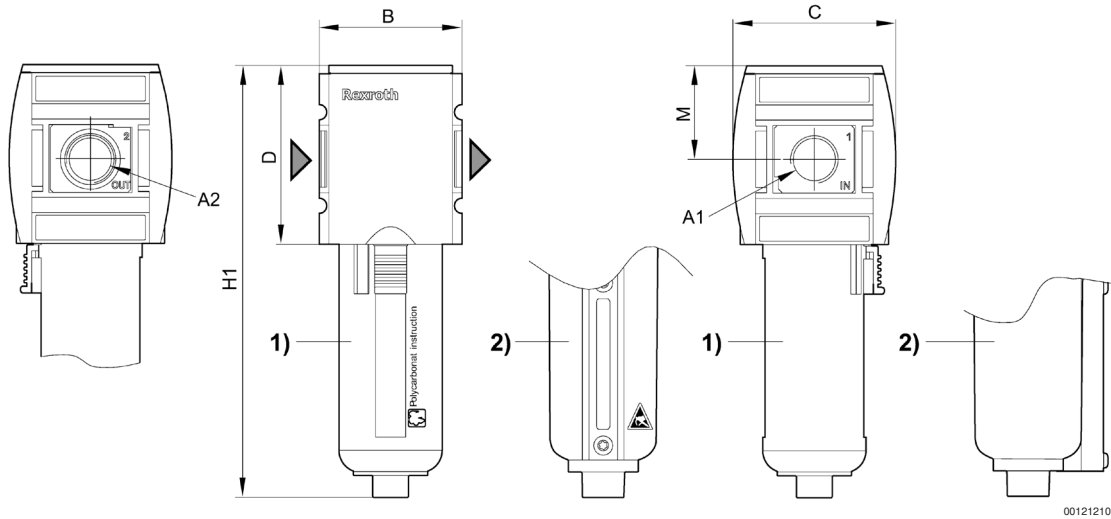
p2 = secondary pressure qn = nominal flow

InduParts Pneumatics B.V.B.A. - Sint-Jorisstraat 40 - B-8800 ROESELARE - Belgium
 tel. + 32.(0)51.22.58.88 - fax. + 32.(0)51.22.58.98 - info@induparts.com

Preparation of compressed air → Maintenance units and components

Active carbon filter, Series AS2-FLA

► G 1/4 - G 3/8 ► ATEX certified

Dimensions

- 1) Plastic reservoir and protective guard with window
 2) Metal reservoir with inspection glass

Part No.	A1	A2	B	C	D	H1	M					
R412006072	G 1/4	G 1/4	52	59	65	157	34					
R412006074	G 1/4	G 1/4	52	59	65	157	34					
R412006075	G 3/8	G 3/8	52	59	65	157	34					
R412006077	G 3/8	G 3/8	52	59	65	157	34					

InduParts Pneumatics B.V.B.A. - Sint-Jorisstraat 40 - B-8800 ROESELARE - Belgium
 tel. + 32.(0)51.22.58.88 - fax. + 32.(0)51.22.58.98 - info@induparts.com