

## Preparation of compressed air → Maintenance units and components

**Filter pressure regulator, Series AS2-FRE**

▶ G 1/4 - G 3/8 ▶ filter porosity: 5 µm ▶ lockable ▶ with pressure gauge ▶ ATEX certified



00119372

**InduParts Pneumatics B.V.B.A.**

Sint-Jorisstraat 40  
 B-8800 ROESELARE  
 BELGIUM  
 Tel. +31 (0)51 22 58 88  
 Fax. +31 (0)51 22 58 98  
 info@induparts.com  
 www.induparts.com

ATEX	II 2G2D T4 X
Maintenance Unit	1-in-1, Can be assembled into blocks
Parts	Filter, Pressure controller
Regulator type	Diaphragm-type pressure regulator
Regulator function	with relieving air exhaust
Lock type	with padlock
Pressure supply	single
Installation location	vertical
Ambient temperature min./max.	-10 °C / +50 °C
Medium temperature min./max.	-10 °C / +50 °C
Working pressure min./max.	See table below
Adjustment range min./max.	See table below
Medium	Compressed air
Filter element	exchangeable
Filter reservoir volume	28 cm <sup>3</sup>
Condensate drain	See table below
Materials:	
Housing	Polyamide
Threaded bushing	Die cast zinc
Cover	Acrylonitrile butadiene styrene
Seal	Acrylonitrile Butadiene Rubber
Filter insert	Polyethylene

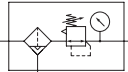
**Technical Remarks**

- The pressure dew point must be at least 15 °C under ambient and medium temperature and may not exceed 3 °C.
- max. particle count as per ISO 8573-4 at the outlet: 10 mg/m<sup>3</sup>

## Preparation of compressed air → Maintenance units and components

**Filter pressure regulator, Series AS2-FRE**

► G 1/4 - G 3/8 ► filter porosity: 5 µm ► lockable ► with pressure gauge ► ATEX certified

	Port	Qn	Working pressure min./max.	Adjustment range min./max.	Condensate drain	Note	Part No.
		[l/min]	[bar]	[bar]			
	G 1/4	2100	1.5 / 16	0.5 / 8	semi-automatic, open without pressure	1); 3)	<b>R412006200</b>
	G 1/4	2100	1.5 / 16	0.5 / 8	fully automatic, open without pressure	1); 3)	<b>R412006201</b>
	G 1/4	2100	0 / 16	0.5 / 8	fully automatic, closed without pressure	1); 3)	<b>R412006202</b>
	G 1/4	2100	1.5 / 16	0.5 / 8	semi-automatic, open without pressure	2)	<b>R412006206</b>
	G 1/4	2100	1.5 / 16	0.5 / 8	fully automatic, open without pressure	2)	<b>R412006207</b>
	G 1/4	2100	0 / 16	0.5 / 8	fully automatic, closed without pressure	2)	<b>R412006208</b>
	G 1/4	2100	1.5 / 16	0.5 / 10	semi-automatic, open without pressure	1); 3)	R412006196
	G 1/4	2100	1.5 / 16	0.5 / 10	fully automatic, open without pressure	1); 3)	R412006197
	G 1/4	2100	0 / 16	0.5 / 10	fully automatic, closed without pressure	1); 3)	R412006198
	G 3/8	2600	1.5 / 16	0.5 / 8	semi-automatic, open without pressure	1); 3)	<b>R412006209</b>
	G 3/8	2600	1.5 / 16	0.5 / 8	fully automatic, open without pressure	1); 3)	<b>R412006210</b>
	G 3/8	2600	0 / 16	0.5 / 8	fully automatic, closed without pressure	1); 3)	<b>R412006211</b>
	G 3/8	2600	1.5 / 16	0.5 / 8	semi-automatic, open without pressure	2)	<b>R412006215</b>
	G 3/8	2600	1.5 / 16	0.5 / 8	fully automatic, open without pressure	2)	<b>R412006216</b>
	G 3/8	2600	0 / 16	0.5 / 8	fully automatic, closed without pressure	2)	<b>R412006217</b>
	G 3/8	2600	1.5 / 16	0.5 / 10	semi-automatic, open without pressure	2)	R412006212
	G 3/8	2600	1.5 / 16	0.5 / 10	fully automatic, open without pressure	2)	R412006213
	G 3/8	2600	0 / 16	0.5 / 10	fully automatic, closed without pressure	2)	R412006214

Part No.	Weight [kg]
<b>R412006200</b>	0.394
<b>R412006201</b>	0.437
<b>R412006202</b>	0.437
<b>R412006206</b>	0.609
<b>R412006207</b>	0.661
<b>R412006208</b>	0.661
R412006196	0.394
R412006197	0.437
R412006198	0.437
<b>R412006209</b>	0.437
<b>R412006210</b>	0.437
<b>R412006211</b>	0.437

**InduParts Pneumatics B.V.B.A.**

Sint-Jorisstraat 40

B-8800 ROESELARE

BELGIUM

Tel. +31 (0)51 22 58 88

Fax. +31 (0)51 22 58 98

info@induparts.com

www.induparts.com

1) Reservoir: Polycarbonate

2) Reservoir: Die cast zinc

3) Protective guard: Polyamide

Nominal flow Qn at 6.3 bar and  $\Delta p = 1$  bar.

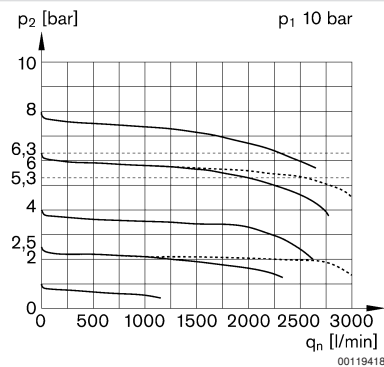
## Preparation of compressed air → Maintenance units and components

**Filter pressure regulator, Series AS2-FRE**

▶ G 1/4 - G 3/8 ▶ filter porosity: 5 μm ▶ lockable ▶ with pressure gauge ▶ ATEX certified

Part No.	Weight [kg]
<b>R412006215</b>	0.596
<b>R412006216</b>	0.648
<b>R412006217</b>	0.648
R412006212	0.596
R412006213	0.648
R412006214	0.648

- 1) Reservoir: Polycarbonate
  - 2) Reservoir: Die cast zinc
  - 3) Protective guard: Polyamide
- Nominal flow  $Q_n$  at 6.3 bar and  $\Delta p = 1$  bar.

**Flow rate characteristic**

$p_1$  = working pressure;  $p_2$  = secondary pressure;  $q_n$  = nominal flow

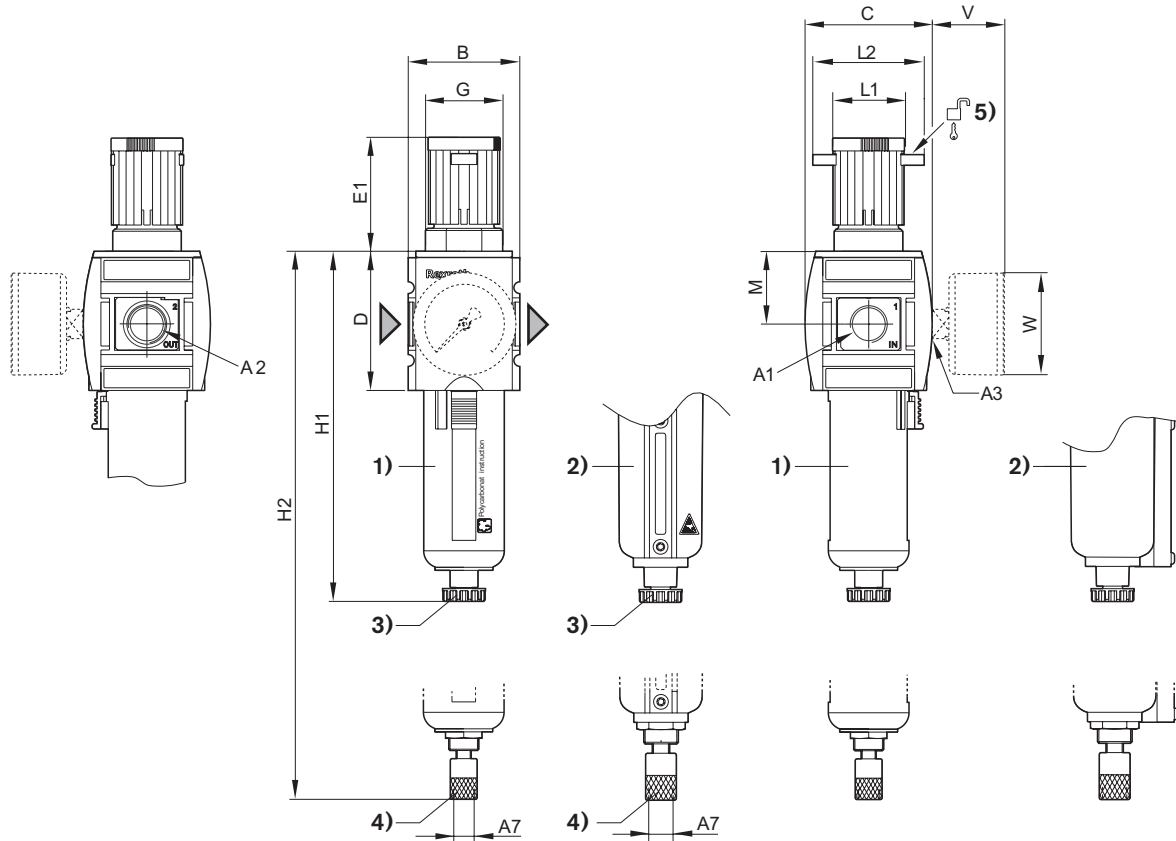
InduParts Pneumatics B.V.B.A. - Sint-Jorisstraat 40 - B-8800 ROESELARE - Belgium  
tel. + 32.(0)51.22.58.88 - fax. + 32.(0)51.22.58.98 - [info@induparts.com](mailto:info@induparts.com)

## Preparation of compressed air → Maintenance units and components

## Filter pressure regulator, Series AS2-FRE

▶ G 1/4 - G 3/8 ▶ filter porosity: 5 µm ▶ lockable ▶ with pressure gauge ▶ ATEX certified

## Dimensions



00133984

- 1) Plastic reservoir and protective guard with window
- 2) Metal reservoir
- 3) Semi-automatic condensate drain
- 4) Fully automatic condensate drain
- 5) Mounting option for padlocks; max. shackle Ø 8

A1	A2	A3	A7	B	C	D	E1	G	H1	H2	L1	L2
G 1/4	G 1/4	G 1/4	G 1/8	52	59	65	57.9	M36x1,5	163.5	--	34	54
G 1/4	G 1/4	G 1/4	G 1/8	52	59	65	57.9	M36x1,5	--	180.5	34	54
G 3/8	G 3/8	G 1/4	G 1/8	52	59	65	57.9	M36x1,5	163.5	--	34	54
G 3/8	G 3/8	G 1/4	G 1/8	52	59	65	57.9	M36x1,5	--	180.5	34	54

A1	M	V	W
G 1/4	34	37	50
G 1/4	34	37	50
G 3/8	34	37	50
G 3/8	34	37	50

InduParts Pneumatics B.V.B.A. - Sint-Jorisstraat 40 - B-8800 ROESELARE - Belgium  
 tel. + 32.(0)51.22.58.88 - fax. + 32.(0)51.22.58.98 - info@induparts.com