

## Preparation of compressed air → Maintenance units and components

## Filter, Series AS2-FLS

► G 1/4 - G 3/8 ► filter porosity: 5 µm ► ATEX certified



00119385

ATEX  
VersionInstallation location  
Ambient temperature min./max.  
Medium temperature min./max.  
Working pressure min./max.  
Medium  
Filter element  
filter porosity  
Filter reservoir volumeII 2G2D T4 X  
Standard filter, Can be assembled into blocks  
vertical  
-10 °C / +50 °C  
-10 °C / +50 °C  
See table below  
Compressed air  
exchangeable  
5 µm  
28 cm<sup>3</sup>

**InduParts Pneumatics B.V.B.A.**  
Sint-Jorisstraat 40  
B-8800 ROESELARE  
BELGIUM  
Tel. +31 (0)51 22 58 88  
Fax. +31 (0)51 22 58 98  
info@induparts.com  
www.induparts.com

Materials:

Housing  
Threaded bushing  
Cover  
Seals  
Filter insertPolyamide  
Die cast zinc  
Acrylonitrile butadiene styrene  
Acrylonitrile Butadiene Rubber  
Polyethylene

## Technical Remarks

- The pressure dew point must be at least 15 °C under ambient and medium temperature and may not exceed 3 °C.
- max. particle count as per ISO 8573-4 at the outlet: 5 mg/m<sup>3</sup>

	Port	Qn	Working pressure min./max.	Condensate drain	Reservoir	Protective guard	Weight	Part No.	
		[l/min]					[kg]		
	G 1/4	2100	1.5 / 16	semi-automatic, open without pressure	Polycarbonate	Polyamide	0.212	<b>R412006000</b>	
	G 1/4		1.5 / 16	fully automatic, open without pressure	Polycarbonate	Polyamide	0.255	<b>R412006001</b>	
	G 1/4		0 / 16	fully automatic, closed without pressure	Polycarbonate	Polyamide	0.255	<b>R412006002</b>	
	G 1/4		1.5 / 16	1.5 / 16	semi-automatic, open without pressure	Die cast zinc with window	-	0.443	R412006006
	G 1/4		1.5 / 16	1.5 / 16	fully automatic, open without pressure	Die cast zinc with window	-	0.52	R412006007
	G 1/4		0 / 16	0 / 16	fully automatic, closed without pressure	Die cast zinc with window	-	0.53	R412006008
	G 3/8		1.5 / 16	1.5 / 16	semi-automatic, open without pressure	Polycarbonate	Polyamide	0.212	<b>R412006009</b>
	G 3/8		1.5 / 16	1.5 / 16	fully automatic, open without pressure	Polycarbonate	Polyamide	0.255	<b>R412006010</b>
	G 3/8		0 / 16	0 / 16	fully automatic, closed without pressure	Polycarbonate	Polyamide	0.255	<b>R412006011</b>
	G 3/8		1.5 / 16	1.5 / 16	semi-automatic, open without pressure	Die cast zinc with window	-	0.43	R412006015
	G 3/8		1.5 / 16	1.5 / 16	fully automatic, open without pressure	Die cast zinc with window	-	0.52	R412006016
	G 3/8		0 / 16	0 / 16	fully automatic, closed without pressure	Die cast zinc with window	-	0.51	R412006017
	G 1/4		0 / 16	0 / 16	-	Polycarbonate	Polyamide	0.212	<b>R412006090</b>

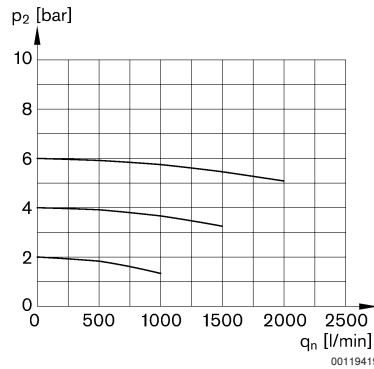
Nominal flow Qn at 6.3 bar and Δp = 1 bar.

## Preparation of compressed air → Maintenance units and components

## Filter, Series AS2-FLS

► G 1/4 - G 3/8 ► filter porosity: 5 µm ► ATEX certified

## Flow rate characteristic

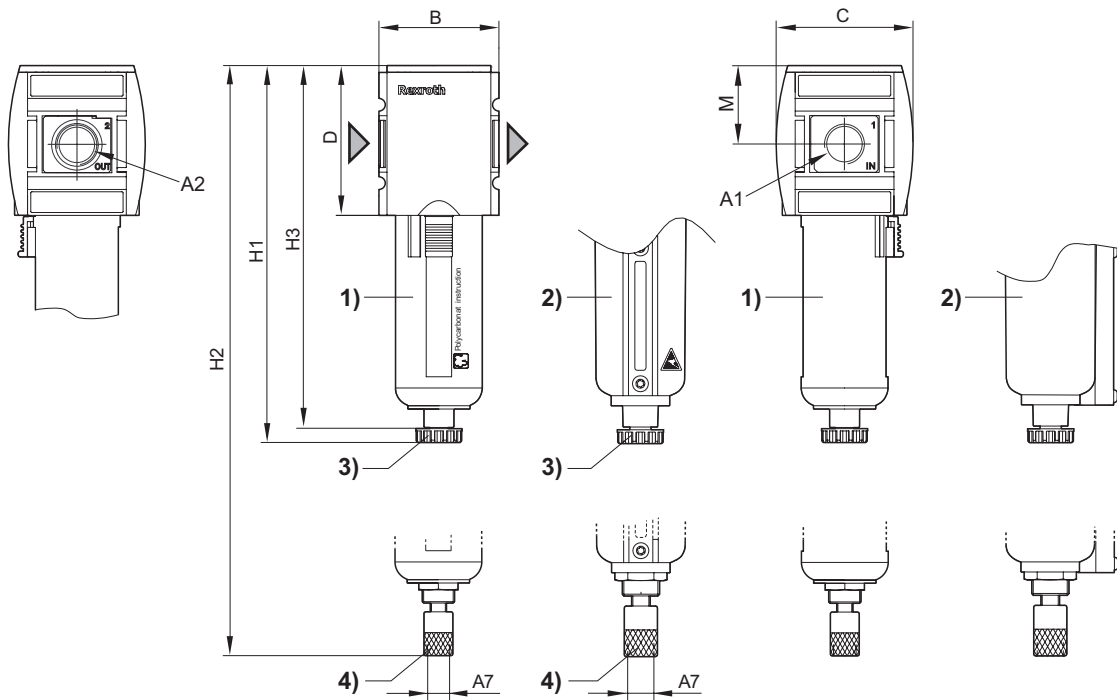


## InduParts Pneumatics B.V.B.A.

Sint-Jorisstraat 40  
 B-8800 ROESELARE  
 BELGIUM  
 Tel. +31 (0)51 22 58 88  
 Fax. +31 (0)51 22 58 98  
 info@induparts.com  
 www.induparts.com

p2 = secondary pressure qn = nominal flow

## Dimensions



00135353

- 1) Plastic reservoir and protective guard with window
- 2) Metal reservoir with inspection glass
- 3) Semi-automatic condensate drain
- 4) Fully automatic condensate drain

Part No.	A1	A2	A7	B	C	D	H1	H2	H3	M		
<b>R412006000</b>	G 1/4	G 1/4	G 1/8	52	59	65	163.5	–	–	34		
<b>R412006001</b>	G 1/4	G 1/4	G 1/8	52	59	65	–	180.5	–	34		
<b>R412006002</b>	G 1/4	G 1/4	G 1/8	52	59	65	–	180.5	–	34		
R412006006	G 1/4	G 1/4	G 1/8	52	59	65	163.5	–	–	34		

## Preparation of compressed air → Maintenance units and components

**Filter, Series AS2-FLS**

▶ G 1/4 - G 3/8 ▶ filter porosity: 5 µm ▶ ATEX certified

Part No.	A1	A2	A7	B	C	D	H1	H2	H3	M		
R412006007	G 1/4	G 1/4	G 1/8	52	59	65	-	180.5	-	34		
R412006008	G 1/4	G 1/4	G 1/8	52	59	65	-	180.5	-	34		
<b>R412006009</b>	G 3/8	G 3/8	G 1/8	52	59	65	163.5	-	-	34		
<b>R412006010</b>	G 3/8	G 3/8	G 1/8	52	59	65	-	180.5	-	34		
<b>R412006011</b>	G 3/8	G 3/8	G 1/8	52	59	65	-	180.5	-	34		
R412006015	G 3/8	G 3/8	G 1/8	52	59	65	163.5	-	-	34		
R412006016	G 3/8	G 3/8	G 1/8	52	59	65	-	180.5	-	34		
R412006017	G 3/8	G 3/8	G 1/8	52	59	65	-	180.5	-	34		
<b>R412006090</b>	G 1/4	G 1/4	G 1/8	52	59	65	-	-	157	34		

InduParts Pneumatics B.V.B.A. - Sint-Jorisstraat 40 - B-8800 ROESELARE - Belgium  
tel. + 32.(0)51.22.58.88 - fax. + 32.(0)51.22.58.98 - [info@induparts.com](mailto:info@induparts.com)