

Preparation of compressed air → Maintenance units and components

Pressure regulator, Series AS2-RGS-...-DS

- ▶ G 1/4 - G 3/8 ▶ Qn = 2200 - 2700 l/min ▶ Activation : manual ▶ with continuous pressure supply ▶ lockable
- ▶ ATEX certified



00119367

InduParts Pneumatics B.V.B.A.

Sint-Jorisstraat 40
 B-8800 ROESELARE
 BELGIUM
 Tel. +31 (0)51 22 58 88
 Fax. +31 (0)51 22 58 98
 info@induparts.com
 www.induparts.com

ATEX	II 2G2D T4 X
Regulator type	Diaphragm-type pressure regulator, Can be assembled into blocks
Version	Regulator without pressure gauge
Function	with relieving air exhaust
Lock type	with padlock
Installation location	arbitrary
Pressure supply	double
Ambient temperature min./max.	-10 °C / +50 °C
Medium temperature min./max.	-10 °C / +50 °C
Working pressure min./max.	See table below
Adjustment range min./max.	See table below
Medium	Compressed air
Materials:	
Housing	Polyamide
Cover	Acrylonitrile butadiene styrene
Seal	Acrylonitrile Butadiene Rubber

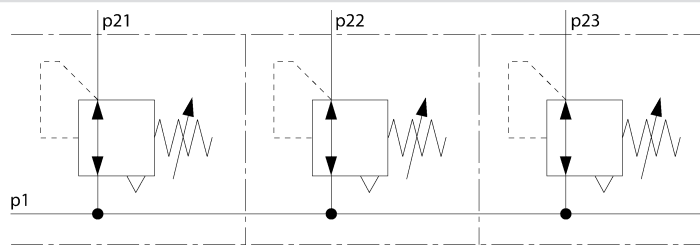
Technical Remarks

- The pressure dew point must be at least 15 °C under ambient and medium temperature and may not exceed 3 °C.

	Port	Qn	Working pressure	Adjustment range	Weight	Part No.
			min./max.	min. - max..		
		[l/min]	[bar]	[bar]	[kg]	
	G 1/4	2200	0.1 / 16	0.1 - 1	0.248	R412006124
	G 1/4	2200	0.1 / 16	0.1 - 2		R412006125
	G 1/4	2200	0.2 / 16	0.2 - 4		R412006126
	G 1/4	2200	0.5 / 16	0.5 - 8		R412006127
	G 1/4	2200	0.5 / 16	0.5 - 10		R412006128
	G 1/4	2200	0.5 / 16	0.5 - 16		R412006129
	G 3/8	2700	0.1 / 16	0.1 - 1		R412006130
	G 3/8	2700	0.1 / 16	0.1 - 2		R412006131
	G 3/8	2700	0.2 / 16	0.2 - 4		R412006132
	G 3/8	2700	0.5 / 16	0.5 - 8		R412006133
	G 3/8	2700	0.5 / 16	0.5 - 10		R412006134
	G 3/8	2700	0.5 / 16	0.5 - 16		R412006135

Max. pressure gauge Ø in blocked state [mm]: 50
 Nominal flow Qn at 6.3 bar and Δp = 1 bar.

Application example



00108090

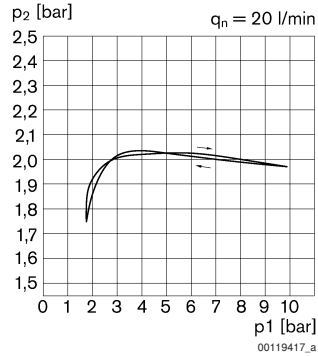
p1 = working pressure
 p21; p22; p23 = secondary pressure

Preparation of compressed air → Maintenance units and components

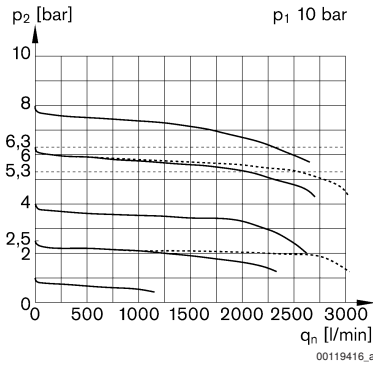
Pressure regulator, Series AS2-RGS...-DS

- ▶ G 1/4 - G 3/8 ▶ $Q_n = 2200 - 2700$ l/min ▶ Activation : manual ▶ with continuous pressure supply ▶ lockable
- ▶ ATEX certified

Pressure characteristics curve



p_1 = working pressure; p_2 = secondary pressure; q_n = nominal flow

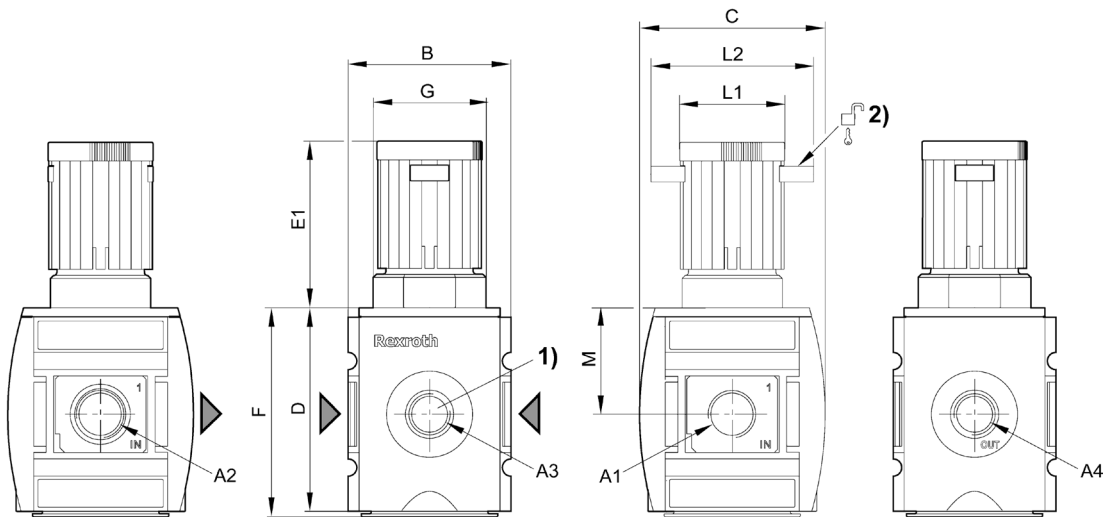
Flow rate characteristic p_2 : 0,5 - 10 bar

p_1 = working pressure; p_2 = secondary pressure; q_n = nominal flow

InduParts Pneumatics B.V.B.A.

Sint-Jorisstraat 40
B-8800 ROESELARE
BELGIUM
Tel. +31 (0)51 22 58 88
Fax. +31 (0)51 22 58 98
info@induparts.com
www.induparts.com

Dimensions



1) Manometer port

2) Mounting option for padlocks; max. shackle $\varnothing 8$

Preparation of compressed air → Maintenance units and components

Pressure regulator, Series AS2-RGS-...-DS

- ▶ G 1/4 - G 3/8 ▶ Qn = 2200 - 2700 l/min ▶ Activation : manual ▶ with continuous pressure supply ▶ lockable
 ▶ ATEX certified

A1	A2	A3	A4	B	C	D	E1	F	G	L1	L2	M
G 1/4	G 1/4	G 1/4	G 1/4	52	59	65	57.9	66.8	M36x1,5	34	54	34
G 3/8	G 3/8	G 1/4	G 1/4	52	59	65	57.9	66.8	M36x1,5	34	54	34

InduParts Pneumatics B.V.B.A. - Sint-Jorisstraat 40 - B-8800 ROESELARE - Belgium
 tel. + 32.(0)51.22.58.88 - fax. + 32.(0)51.22.58.98 - info@induparts.com