

Preparation of compressed air → Maintenance units and components

**3/2-shut-off valve, mechanically operated, Series AS2-BAV**

► G 1/4 - G 3/8 ► ATEX certified



00119374

**InduParts Pneumatics B.V.B.A.**

Sint-Jorisstraat 40  
 B-8800 ROESELARE  
 BELGIUM  
 Tel. +31 (0)51 22 58 88  
 Fax. +31 (0)51 22 58 98  
 info@induparts.com  
 www.induparts.com

ATEX  
 Version

Control element  
 Sealing principle  
 Working pressure min./max.  
 Ambient temperature min./max.  
 Medium temperature min./max.  
 Medium

Materials:  
 Housing  
 Seals  
 Control element  
 Front cover  
 Threaded bushing

II 2G2D T4 X  
 Poppet valve, Can be assembled into blocks with padlock  
 lockable  
 rotary switch  
 soft sealing  
 0 bar / 16 bar  
 -10°C / +50°C  
 -10°C / +50°C  
 Compressed air

Polyamide  
 Acrylonitrile Butadiene Rubber  
 Polyoxymethylene  
 Acrylonitrile butadiene styrene  
 Die cast zinc

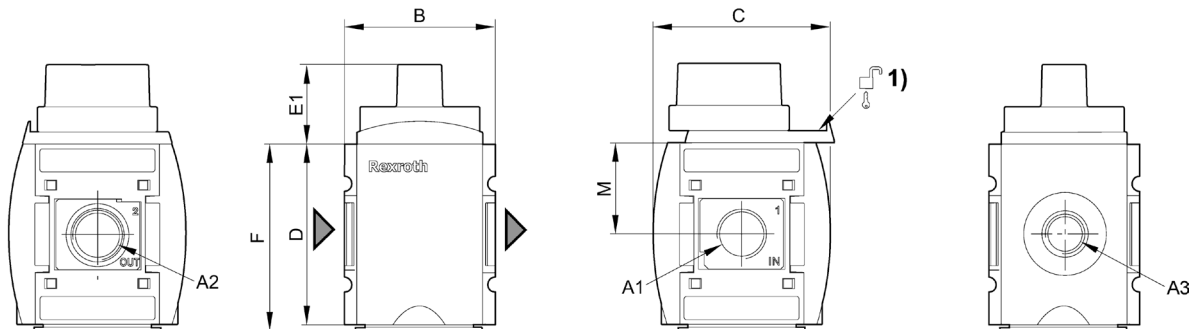
**Technical Remarks**

- The pressure dew point must be at least 15 °C under ambient and medium temperature and may not exceed 3 °C.
- A short silencer is required for wall mounting (see accessories e.g. R412004817).

	Port	Exhaust	Qn		Note	Weight	Part No.
			1►2	2►3			
			[l/min]			[kg]	
	G 1/4	G 1/4	2000	380	1)	0.206	R412006260
	G 3/8				1)		R412006261
	G 1/4				2)		R412006256
	G 3/8				2)		R412006257

1) Locking base: Polyoxymethylene  
 2) Locking base: Steel  
 Nominal flow Qn at 6 bar and Δp = 1 bar

**Dimensions**



00121343

A3 = ventilation port  
 A1 = input  
 A2 = output  
 1) Mounting option for padlocks; max. shackle Ø 8

**Preparation of compressed air → Maintenance units and components****3/2-shut-off valve, mechanically operated, Series AS2-BAV**

▶ G 1/4 - G 3/8 ▶ ATEX certified

<b>A1</b>	<b>A2</b>	<b>A3</b>	<b>B</b>	<b>C</b>	<b>D</b>	<b>E1</b>	<b>F</b>	<b>M</b>					
G 1/4	G 1/4	G 1/4	52	59	65	20.5	67	34					
G 3/8	G 3/8	G 1/4	52	59	65	20.5	67	34					

InduParts Pneumatics B.V.B.A. - Sint-Jorisstraat 40 - B-8800 ROESELARE - Belgium  
 tel. + 32.(0)51.22.58.88 - fax. + 32.(0)51.22.58.98 - [info@induparts.com](mailto:info@induparts.com)