

Preparation of compressed air → Maintenance units and components

**3/2-way valve, electrically operated, Series AS2-SOV**

► G 1/4 - G 3/8 ► pipe connection



00133928

**InduParts Pneumatics B.V.B.A.**  
 Sint-Jorisstraat 40  
 B-8800 ROESELARE  
 BELGIUM  
 Tel. +31 (0)51 22 58 88  
 Fax. +31 (0)51 22 58 98  
 info@induparts.com  
 www.induparts.com

Version	Poppet valve, Can be assembled into blocks
Sealing principle	soft sealing
Working pressure min./max.	2.5 bar / 10 bar
Ambient temperature min./max.	-10 °C / +50 °C
Medium temperature min./max.	-10 °C / +50 °C
Medium	Compressed air
Max. particle size	5 µm
Protection class according to EN 60529:, with Plug	See table below

Materials:	
Housing	Polyamide
Seals	Acrylonitrile Butadiene Rubber
Front plate	Acrylonitrile butadiene styrene
Threaded bushing	Die cast zinc

**Technical Remarks**

- The pressure dew point must be at least 15 °C under ambient and medium temperature and may not exceed 3 °C.
- ATEX optional: The ATEX ID depends on the selected pilot valve.
- A short silencer is required for wall mounting (see accessories e.g. R412004817).

DC	Operating voltage		Power consumption	Switch-on power		Holding power	
	AC 50 Hz	AC 60 Hz		AC 50 Hz	AC 60 Hz	AC 50 Hz	AC 60 Hz
			W	VA	VA	VA	VA
24 V	-	-	2	-	-	-	-
24 V	-	-	-	-	-	-	-
-	110 V	110 V	-	2.2	1.6	1.6	1.4
-	220 V	230 V	-	2.2	1.6	1.6	1.4

	Port	Exhaust	Operating voltage			Qn		Weight	Note	Part No.
			DC	AC 50 Hz	AC 60 Hz	1►2	2►3			
						[l/min]				
	G 1/4		24 V	-	-				1); 4)	R412006265
	G 1/4		24 V	-	-				1); 4); 5)	R412006291
	G 1/4		-	110 V	110 V				1); 4)	R412006266
	G 1/4	G 1/4	-	220 V	230 V	2000	380	0.219	1); 4)	R412006267
	G 3/8		24 V	-	-				1); 4)	R412006269
	G 3/8		-	110 V	110 V				1); 4)	R412006270
	G 3/8		-	220 V	230 V				1); 4)	R412006271

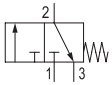
- 1) Basic valve with pilot valve
- 2) Basic valve without pilot valve
- 3) Basic valve without pilot valve, with CNOMO subbase
- 4) Protection class according to EN 60529: IP 65
- 5) Electr. connection: Plug; M12x1
- 6) ATEX optional

Nominal flow Qn at 6.3 bar and Δp = 1 bar.

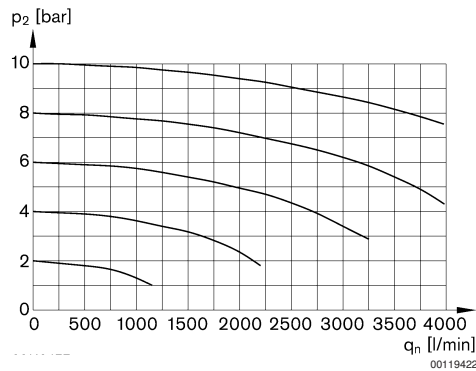
## Preparation of compressed air → Maintenance units and components

**3/2-way valve, electrically operated, Series AS2-SOV**

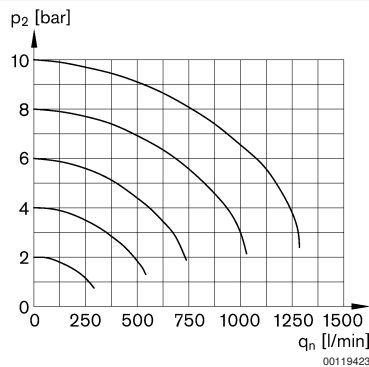
► G 1/4 - G 3/8 ► pipe connection

	Port	Exhaust	Operating voltage			Qn		Weight	Note	Part No.	
			DC	AC 50 Hz	AC 60 Hz	1►2	2►3				
						[l/min]					[kg]
	-	G 1/4 G 1/4 G 3/8 G 3/8	G 1/4	-	-	-	2000	380	0.219	2); 6) 3); 6) 2); 6) 3); 6)	R412006264 R412006258 R412006268 R412006259

- 1) Basic valve with pilot valve
- 2) Basic valve without pilot valve
- 3) Basic valve without pilot valve, with CNOMO subbase
- 4) Protection class according to EN 60529: IP 65
- 5) Electr. connection: Plug; M12x1
- 6) ATEX optional

Nominal flow Qn at 6.3 bar and  $\Delta p = 1$  bar.**Flow rate characteristic**

p2 = secondary pressure qn = nominal flow

**Rear exhaust**

p2 = secondary pressure qn = nominal flow

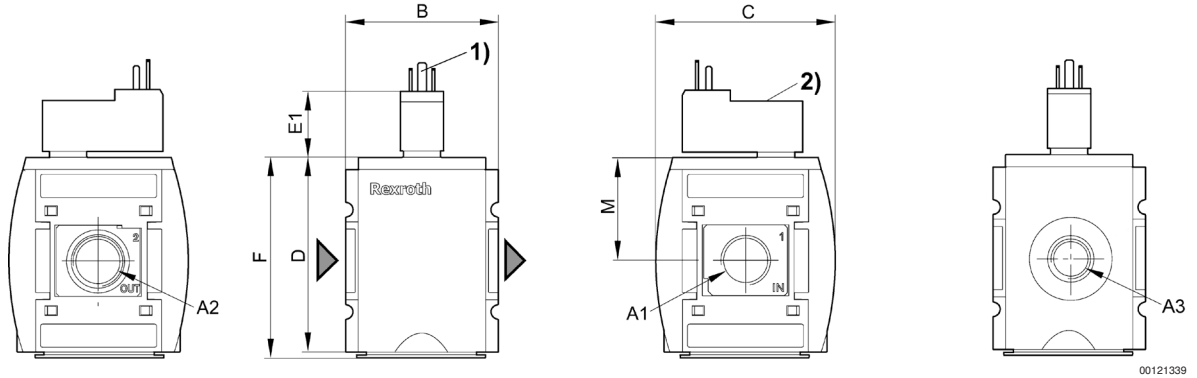
InduParts Pneumatics B.V.B.A. - Sint-Jorisstraat 40 - B-8800 ROESELARE - Belgium  
 tel. + 32.(0)51.22.58.88 - fax. + 32.(0)51.22.58.98 - info@induparts.com

Preparation of compressed air → Maintenance units and components

**3/2-way valve, electrically operated, Series AS2-SOV**

► G 1/4 - G 3/8 ► pipe connection

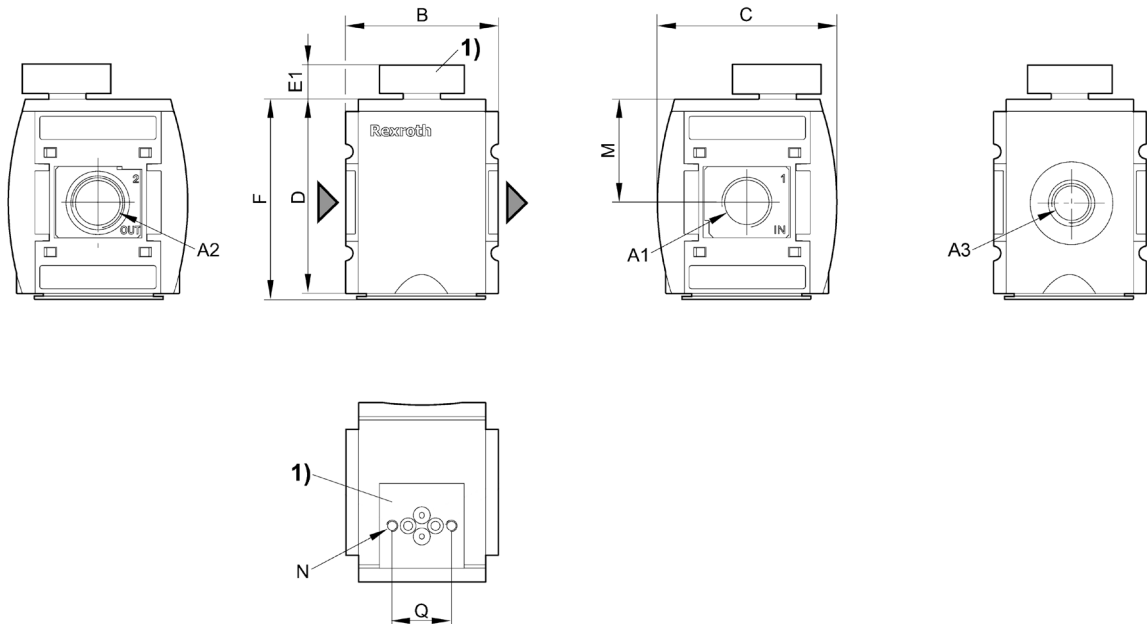
**with pilot valve series DO16 for electrical connector form C**



- A3 = ventilation port
- A1 = input
- A2 = output
- 1) For electrical connector according to ISO 15217 (form C)
- 2) Manual override

A1	A2	A3	B	C	D	E1	F	M					
G 1/4	G 1/4	G 1/4	52	59	65	22	67	34					
G 3/8	G 3/8	G 1/4	52	59	65	22	67	34					

**without pilot valve with CNOMO porting configuration for DO30**



- A3 = ventilation port
- A1 = input
- A2 = output
- 1) Transition plate with CNOMO porting configuration for pilot valve DO30

InduParts Pneumatics B.V.B.A. - Sint-Jorisstraat 40 - B-8800 ROESELARE - Belgium  
 tel. + 32.(0)51.22.58.88 - fax. + 32.(0)51.22.58.98 - info@induparts.com

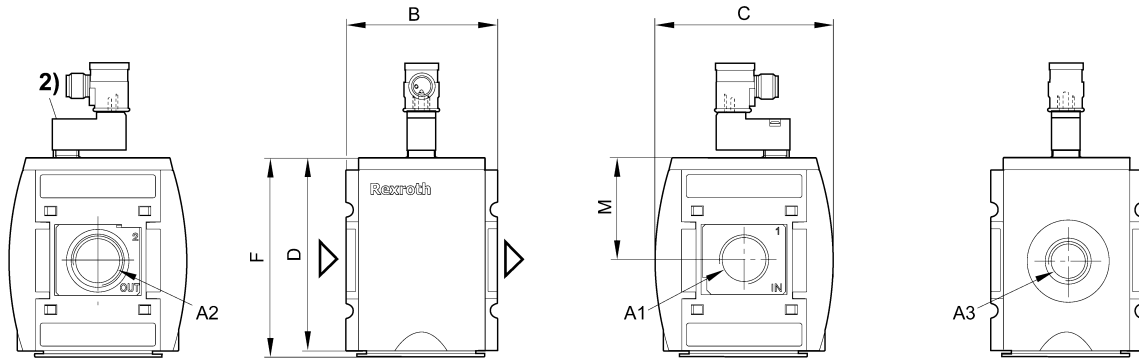
## Preparation of compressed air → Maintenance units and components

**3/2-way valve, electrically operated, Series AS2-SOV**

▶ G 1/4 - G 3/8 ▶ pipe connection

A1	A2	A3	B	C	D	E1	F	M	N	Q			
G 1/4	G 1/4	G 1/4	52	59	65	11	67	34	M4	21			
G 3/8	G 3/8	G 1/4	52	59	65	11	67	34	M4	21			

## with pilot valve series DO16 for electrical connector M12x1

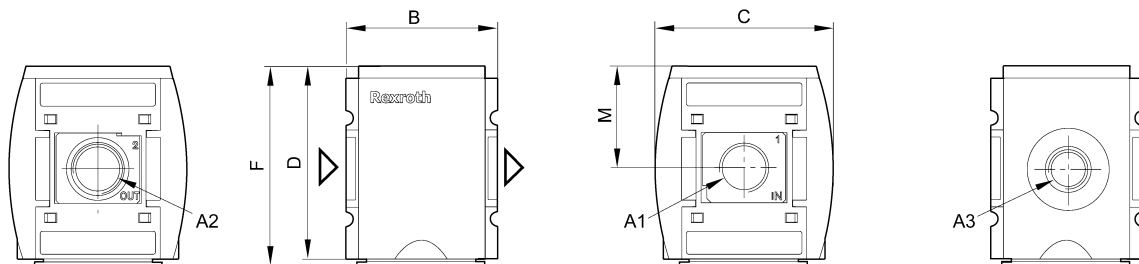


00133974

2) M12 plug

A1	A2	A3	B	C	D	E1	F	M					
G 1/4	G 1/4	G 1/4	52	59	65	22	67	34					
G 3/8	G 3/8	G 1/4	52	59	65	22	67	34					

## without pilot valve with porting configuration for DO16



00133975

A1	A2	A3	B	C	D	E1	F	M					
G 1/4	G 1/4	G 1/4	52	59	65	22	67	34					
G 3/8	G 3/8	G 1/4	52	59	65	22	67	34					

InduParts Pneumatics B.V.B.A. - Sint-Jorisstraat 40 - B-8800 ROESELARE - Belgium  
 tel. + 32.(0)51.22.58.88 - fax. + 32.(0)51.22.58.98 - info@induparts.com