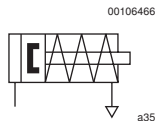


Piston rod cylinders → Standard cylinders

**Mini cylinder, ISO 6432, series MNI**

► Ø 10 - 25 mm ► Ports: M5 - G 1/8 ► Single-acting, retracted without pressure ► with magnetic piston  
 ► cushioning: elastic ► with integrated rear eye ► piston rod: external thread



Standards	ISO 6432
Compressed air connection	internal thread
Working pressure min./max.	1 bar / 10 bar
Ambient temperature min./max.	-25 °C / +80 °C
Medium temperature min./max.	-25 °C / +80 °C
Medium	Compressed air
Max. particle size	5 µm
Oil content of compressed air	0 mg/m <sup>3</sup> - 5 mg/m <sup>3</sup>
Pressure for determining piston forces	6,3 bar

Materials:	
Cylinder tube	Stainless steel
Piston rod	Stainless steel
Piston	Brass
Front cover	Aluminum, anodized
End cover	Aluminum anodized
Seal	Acrylonitrile Butadiene Rubber
Nut for cylinder mounting	Steel, galvanized
Nut for piston rod	Steel, galvanized
Scraper	Acrylonitrile Butadiene Rubber

**Technical Remarks**

- The pressure dew point must be at least 15 °C under ambient and medium temperature and may not exceed 3 °C.
- The oil content of air pressure must remain constant during the life cycle.
- Use only the approved oils from Bosch Rexroth, see chapter „Technical information“.
- Clamping piece for magnetic field sensor necessary

Piston Ø		[mm]	10	12	16	20	25
Extending piston force		[N]	40.8	60	101.6	163.5	254.3
Spring force min. - max.		[N]	3.4 - 5.1	4.6 - 6.8	11.8 - 18.7	17.8 - 26.1	23.2 - 31.4
Weight	0 mm stroke	[kg]	0.03	0.06	0.075	0.14	0.23
	+10 mm stroke	[kg]	0.005	0.006	0.007	0.016	0.024
Stroke max.		[mm]	40	50	50	50	50

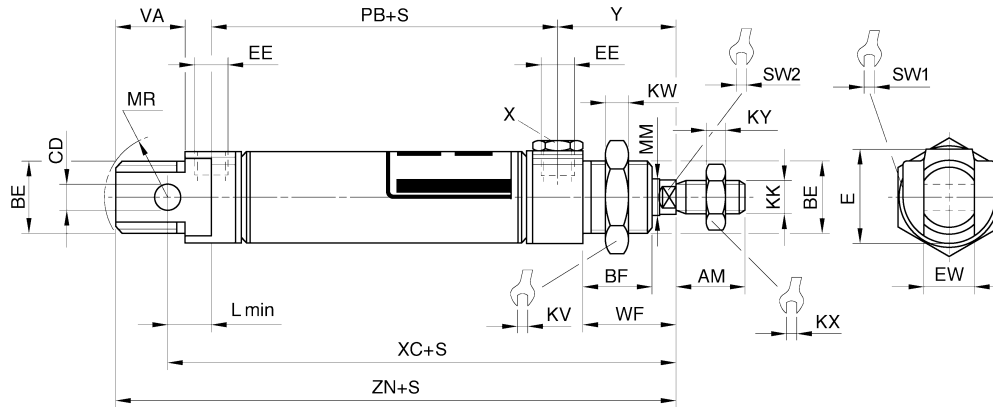
	Piston Ø	10	12	16	20	25
	Piston rod thread	M4	M6	M6	M8	M10x1,25
	Ports	M5	M5	M5	G 1/8	G 1/8
	Piston rod Ø	4	6	6	8	10
	Cylinder outer thread	M12x1,25	M16x1,5	M16x1,5	M22x1,5	M22x1,5
	Stroke 10	0822430301	0822431301	0822432301	0822433301	0822434301
	25	0822430302	0822431302	0822432302	0822433302	0822434302
	40	0822430303	-	-	-	-
	50	-	<b>0822431303</b>	0822432303	0822433303	<b>0822434303</b>

other versions can be ordered from Bosch Rexroth sales offices

## Piston rod cylinders → Standard cylinders

**Mini cylinder, ISO 6432, series MNI**

- ▶ Ø 10 - 25 mm ▶ Ports: M5 - G 1/8 ▶ Single-acting, retracted without pressure ▶ with magnetic piston
- ▶ cushioning: elastic ▶ with integrated rear eye ▶ piston rod: external thread

**Dimensions**

00106425\_a

S = stroke  
X = vent screw

Piston Ø	AM -2	BE	BF	CD H9	E	EE	EW d13	KK	KV	KW	KX	KY
10	12	M12x1,25	11	4	14	M5 t=5	8	M4	17	5.5	7	2.2
12	16	M16x1,5	16	6	19	M5 t=5	12	M6	22	6	10	3.2
16	16	M16x1,5	16	6	19	M5 t=5	12	M6	22	6	10	3.2
20	20	M22x1,5	18	8	28	G1/8 t=8	16	M8	30	7	13	4
25	22	M22x1,5	21	8	28	G1/8 t=8	16	M10x1,25	30	7	17	6

Piston Ø	L	MM f8	MR	PB ±1	VA	WF ±1,2	XC ±1	Y ± 1	ZN ± 1,4	SW 1	SW 2
10	6	4	12	47	11	16	74	21	83.5	13	3
12	9	6	16	41	16	22	75	27	88.5	19	5
16	9	6	16	47	17	22	82	27	95.5	19	5
20	12	8	18	51	19	24	95	32	109.5	28	6
25	12	10	19	55	21	28	104	36	119.5	28	8

t = depth of thread