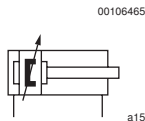


## Piston rod cylinders → Standard cylinders

**Mini cylinder, ISO 6432, series MNI**

► Ø 16 - 25 mm ► Ports: M5 - G 1/8 ► double-acting ► with magnetic piston ► cushioning: pneumatic, adjustable  
 ► with integrated rear eye ► piston rod: external thread ► ATEX optional



Standards	ISO 6432
Compressed air connection	internal thread
Working pressure min./max.	1 bar / 10 bar
Ambient temperature min./max.	-25 °C / +80 °C
Medium temperature min./max.	-25 °C / +80 °C
Medium	Compressed air
Max. particle size	5 µm
Oil content of compressed air	0 mg/m <sup>3</sup> - 5 mg/m <sup>3</sup>
Pressure for determining piston forces	6,3 bar

Materials:	
Cylinder tube	Stainless steel
Piston rod	Stainless steel
Piston	Brass
Front cover	Aluminum, anodized
End cover	Aluminum anodized
Seal	Acrylonitrile Butadiene Rubber
Nut for cylinder mounting	Steel, galvanized
Nut for piston rod	Steel, galvanized
Scraper	Acrylonitrile Butadiene Rubber

**Technical Remarks**

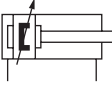
- The pressure dew point must be at least 15 °C under ambient and medium temperature and may not exceed 3 °C.
- The oil content of air pressure must remain constant during the life cycle.
- Use only the approved oils from Bosch Rexroth, see chapter „Technical information“.
- Clamping piece for magnetic field sensor necessary
- ATEX-certified cylinders are available at Bosch Rexroth sales centres
- ATEX ID: II 2G2D c IIB T4 X -25 °C ≤ Ta ≤ 50 °C
- For ATEX-certified cylinders, the temperature range specified in the header does not apply. See the ATEX ID.

Piston Ø		[mm]	16	20	25		
Retracting piston force		[N]	108	165	255		
Extending piston force		[N]	126	195	305		
Cushioning length		[mm]	9	13	17.5		
Weight	0 mm stroke	[kg]	0.1	0.16	0.265		
	+10 mm stroke	[kg]	0.0055	0.009	0.013		
Stroke max.		[mm]	800	1300	1500		

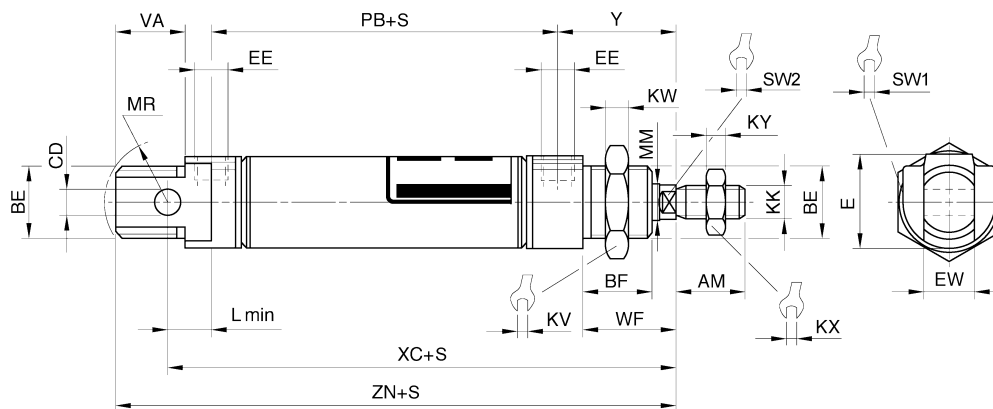
## Piston rod cylinders → Standard cylinders

**Mini cylinder, ISO 6432, series MNI**

► Ø 16 - 25 mm ► Ports: M5 - G 1/8 ► double-acting ► with magnetic piston ► cushioning: pneumatic, adjustable  
 ► with integrated rear eye ► piston rod: external thread ► ATEX optional

	Piston Ø Piston rod thread Ports Piston rod Ø Cylinder outer thread	16 M6 M5 6 M16x1,5	20 M8 G 1/8 8 M22x1,5	25 M10x1,25 G 1/8 10 M22x1,5		
	Stroke 10	<b>0822332501</b>	<b>0822333501</b>	<b>0822334501</b>		
	25	<b>0822332502</b>	<b>0822333502</b>	<b>0822334502</b>		
	50	<b>0822332503</b>	<b>0822333503</b>	<b>0822334503</b>		
	80	<b>0822332504</b>	<b>0822333504</b>	<b>0822334504</b>		
	100	<b>0822332505</b>	<b>0822333505</b>	<b>0822334505</b>		
	125	<b>0822332506</b>	<b>0822333506</b>	<b>0822334506</b>		
	160	<b>0822332507</b>	<b>0822333507</b>	<b>0822334507</b>		
	200	<b>0822332508</b>	<b>0822333508</b>	<b>0822334508</b>		
	250	-	<b>0822333509</b>	<b>0822334509</b>		
	320	-	<b>0822333510</b>	<b>0822334510</b>		
	400	-	-	<b>0822334511</b>		
	500	-	-	<b>0822334512</b>		

other versions can be ordered from Bosch Rexroth sales offices

**Dimensions**

00106425\_1

Dimensions

Piston Ø	AM-2	BE	BF	CD H9	E	EE	EW d13	KK	KV	KW	KX	KY
16	16	M16x1,5	16	6	19	M5 t=5	12	M6	22	6	10	3.2
20	20	M22x1,5	18	8	28	G1/8 t=8	16	M8	30	7	13	4
25	22	M22x1,5	21	8	28	G1/8 t=8	16	M10x1,25	30	7	17	6

Piston Ø	L	MM f8	MR	PB ±1	VA	WF ±1,2	XC ±1	Y ± 1	ZN ± 1,4	SW 1	SW 2
16	9	6	16	47	17	22	82	27	95.5	19	5
20	12	8	18	51	19	24	95	32	109.5	28	6
25	12	10	19	55	21	28	104	36	119.5	28	8

t = depth of thread