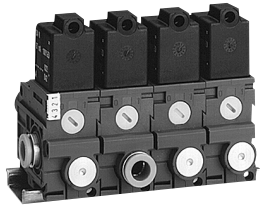


Directional valves → Electrically operated

3/2-way valve, Series 579

► Qn = 850 l/min ► pipe connection ► compressed air connection output: Ø 8x1 ► Electr. connection: Plug, ISO 15217, form C ► Can be assembled into blocks ► manual override: with detent ► NC



P579_051

Version	Poppet valve
Pilot	internal
Sealing principle	soft sealing
Working pressure min./max.	2 bar / 8 bar
Control pressure min./max.	-- / 8 bar
Ambient temperature min./max.	-15 °C / +50 °C
Medium temperature min./max.	-15 °C / +50 °C
Medium	Compressed air
Max. particle size	5 µm
Oil content of compressed air	0 mg/m ³ - 1 mg/m ³
Protection class according to EN 60529: with electrical connector/plug	IP 65
	short circuit protected
Duty cycle	100 %
Switch-on time	18 ms
Switch-off time	16 ms
Materials:	
Housing	Polyamide
Seals	Acrylonitrile Butadiene Rubber; Polyurethane

Technical Remarks

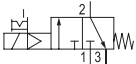
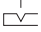
- The pressure dew point must be at least 15 °C under ambient and medium temperature and may not exceed 3 °C.
- The oil content of air pressure must remain constant during the life cycle.
- Use only the approved oils from Bosch Rexroth, see chapter „Technical information“.
- At an ambient temperature of 40 °C the max. working pressure is 10 bar.
- Versions with voltage of less than 50 V DC do not have a protective ground

Operating voltage			Voltage tolerance			Power consumption	Switch-on power		Holding power	
DC	AC 50 Hz	AC 60 Hz	DC	AC 50 Hz	AC 60 Hz	DC	AC 50 Hz	AC 60 Hz	AC 50 Hz	AC 60 Hz
						W	VA	VA	VA	VA
12 V	-	-	-10% / +10%	-	-	1.6	-	-	-	-
24 V	-	-	-10% / +10%	-	-	1.6	-	-	-	-
24 V	-	-	-10% / +10%	-	-	1.7	-	-	-	-
-	24 V	24 V	-	-15% / +10%	-10% / +15%	-	3	2.6	2.2	1.8
-	110 V	110 V	-	-15% / +10%	-10% / +15%	-	4.2	3.4	3	2.4
-	230 V	230 V	-	-15% / +10%	-10% / +15%	-	3.2	2.8	2.3	2
-	230 V	230 V	-	-15% / +10%	-10% / +15%	-	3.4	3	2.5	2.2

Directional valves → Electrically operated

3/2-way valve, Series 579

► Qn = 850 l/min ► pipe connection ► compressed air connection output: Ø 8x1 ► Electr. connection: Plug, ISO 15217, form C ► Can be assembled into blocks ► manual override: with detent ► NC

	MO	Blocking principle	Compressed air connection		Operating voltage			Part No.	
			Input	Output	DC	AC 50 Hz	AC 60 Hz		
	NC		Inlet valve	Ø 8x1		12 V	-	-	5790600210
			Inlet valve	Ø 8x1		24 V	-	-	5790600220
			Inlet valve	Ø 8x1		24 V	-	-	5790600620
			Inlet valve	Ø 8x1		-	24 V	24 V	5790605220
			Inlet valve	Ø 8x1		-	110 V	110 V	5790605270
			Inlet valve	Ø 8x1		-	230 V	230 V	5790605280
			Inlet valve	Ø 8x1		-	230 V	230 V	5790605680
			Stacking valve	-		12 V	-	-	5791600210
			Stacking valve	-		24 V	-	-	5791600220
			Stacking valve	-		24 V	-	-	5791600620
			Stacking valve	-		-	24 V	24 V	5791605220
			Stacking valve	-		-	110 V	110 V	5791605270
			Stacking valve	-		-	230 V	230 V	5791605280
			Stacking valve	-		-	230 V	230 V	5791605680
			Stacking valve, add. compressed air port	Ø 8x1		12 V	-	-	5796600210
			Stacking valve, add. compressed air port	Ø 8x1	Ø 8x1	24 V	-	-	5796600220
			Stacking valve, add. compressed air port	Ø 8x1		24 V	-	-	5796600620
			Stacking valve, add. compressed air port	Ø 8x1		-	24 V	24 V	5796605220
			Stacking valve, add. compressed air port	Ø 8x1		-	110 V	110 V	5796605270
			Stacking valve, add. compressed air port	Ø 8x1		-	230 V	230 V	5796605280
			Stacking valve, add. compressed air port	Ø 8x1		-	230 V	230 V	5796605680
			End valve	-		12 V	-	-	5792600210
			End valve	-		24 V	-	-	5792600220
			End valve	-		24 V	-	-	5792600620
			End valve	-		-	24 V	24 V	5792605220
			End valve	-		-	110 V	110 V	5792605270
			End valve	-		-	230 V	230 V	5792605280
			End valve	-		-	230 V	230 V	5792605680

Directional valves → Electrically operated

3/2-way valve, Series 579

► Qn = 850 l/min ► pipe connection ► compressed air connection output: Ø 8x1 ► Electr. connection: Plug, ISO 15217, form C ► Can be assembled into blocks ► manual override: with detent ► NC

Part No.	Flow rate value Qn	Weight	Note
	[l/min]	[kg]	
5790600210			-
5790600220			-
5790600620			1); 2); 3)
5790605220			-
5790605270			-
5790605280			-
5790605680			3)
5791600210			-
5791600220			-
5791600620			1); 2); 3)
5791605220			-
5791605270			-
5791605280			-
5791605680	850	0.093	3)
5796600210			-
5796600220			-
5796600620			1); 2); 3)
5796605220			-
5796605270			-
5796605280			-
5796605680			3)
5792600210			-
5792600220			-
5792600620			1); 2); 3)
5792605220			-
5792605270			-
5792605280			-
5792605680			3)

MO = Manual override

1) with LED and protective diode for reducing voltage peaks in the solenoid coil, short circuit protected

2) power consumption 2,1 W

3) LED status display : Red

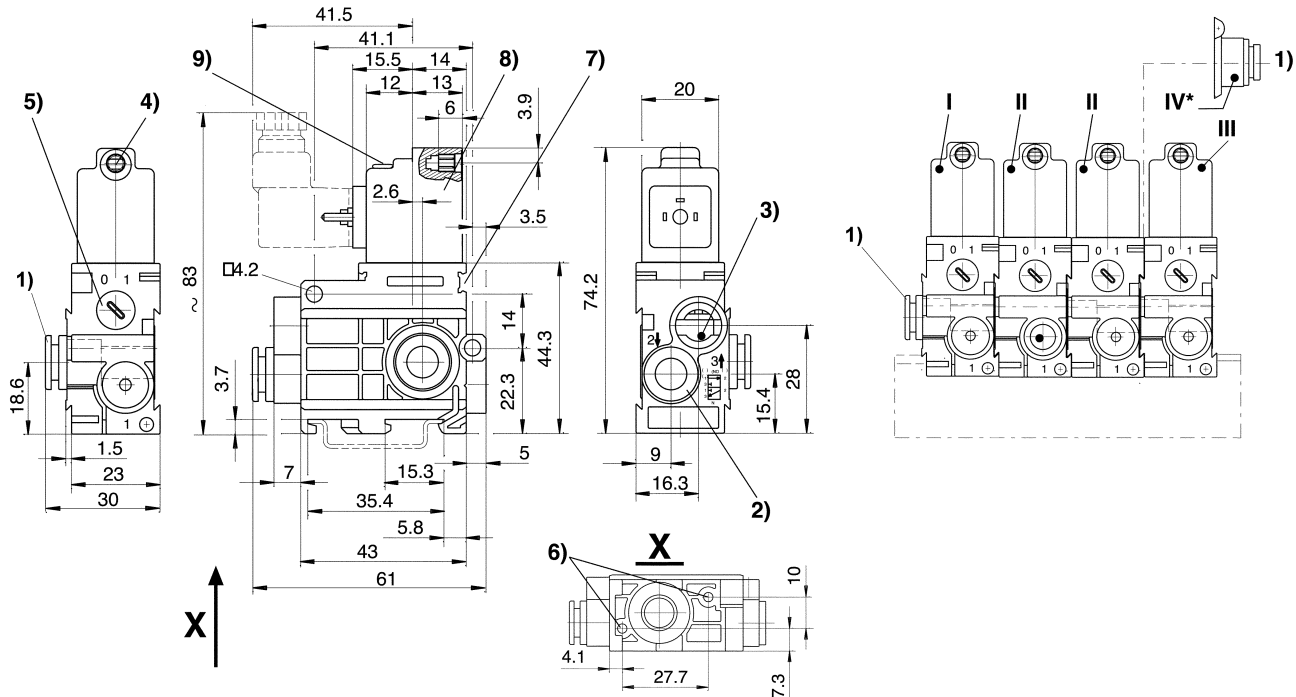
Nominal flow Qn at 6 bar and $\Delta p = 1$ bar

Directional valves → Electrically operated

3/2-way valve, Series 579

► $Q_n = 850$ l/min ► pipe connection ► compressed air connection output: $\varnothing 8 \times 1$ ► Electr. connection: Plug, ISO 15217, form C ► Can be assembled into blocks ► manual override: with detent ► NC

Dimensions



- 1) Port 1
- 2) Port 2
- 3) Port 3, exhaust air must not be throttled
- 4) Core \varnothing for M5
- 5) Manual override
- 6) Pocket hole 6 mm deep for 3.5 self-tapping screw
- 7) Mounting space for name plate
- 8) Coil can be rotated at 180° intervals
- 9) LED

* Air conn. module (item IV) mounted onto stacking valve (item II) permits additional air supply from right hand side. End valve (item III) not required.

D579_051