

## Directional valves → Electrically operated

**3/2-way valve, Series 579**

► Qn = 520 - 600 l/min ► pipe connection ► compressed air connection output: Ø 6x1 - Ø 8x1 ► Electr. connection: Plug, ISO 15217, form C ► single valve ► manual override: with detent ► NO



P579\_460

Version	Poppet valve
Pilot	internal
Sealing principle	soft sealing
Working pressure min./max.	2 bar / 8 bar
Control pressure min./max.	2 bar / 8 bar
Ambient temperature min./max.	-15 °C / +50 °C
Medium temperature min./max.	-15 °C / +50 °C
Medium	Compressed air
Max. particle size	5 µm
Oil content of compressed air	0 mg/m <sup>3</sup> - 1 mg/m <sup>3</sup>
Protection class according to EN 60529: with electrical connector/plug	IP 65
	short circuit protected
Duty cycle	100 %
Switch-on time	18 ms
Switch-off time	16 ms
Materials:	
Housing	Polyamide
Seals	Acrylonitrile Butadiene Rubber; Polyurethane

**Technical Remarks**

- The pressure dew point must be at least 15 °C under ambient and medium temperature and may not exceed 3 °C.
- The oil content of air pressure must remain constant during the life cycle.
- Use only the approved oils from Bosch Rexroth, see chapter „Technical information“.
- At an ambient temperature of 40 °C the max. working pressure is 10 bar.
- Versions with voltage of less than 50 V DC do not have a protective ground

Operating voltage			Voltage tolerance			Power consumption	Switch-on power		Holding power	
DC	AC 50 Hz	AC 60 Hz	DC	AC 50 Hz	AC 60 Hz	DC	AC 50 Hz	AC 60 Hz	AC 50 Hz	AC 60 Hz
						W	VA	VA	VA	VA
12 V	-	-	-10% / +10%	-	-	1.6	-	-	-	-
24 V	-	-	-10% / +10%	-	-	1.6	-	-	-	-
24 V	-	-	-10% / +10%	-	-	1.7	-	-	-	-
-	24 V	24 V	-	-15% / +10%	-10% / +15%	-	3	2.6	2.2	1.8
-	110 V	110 V	-	-15% / +10%	-10% / +15%	-	4.2	3.4	3	2.4
-	230 V	230 V	-	-15% / +10%	-10% / +15%	-	3.2	2.8	2.3	2
-	230 V	230 V	-	-15% / +10%	-10% / +15%	-	3.4	3	2.5	2.2

## Directional valves → Electrically operated

**3/2-way valve, Series 579**

► Qn = 520 - 600 l/min ► pipe connection ► compressed air connection output: Ø 6x1 - Ø 8x1 ► Electr. connection: Plug, ISO 15217, form C ► single valve ► manual override: with detent ► NO

		MO	Compressed air connection		Operating voltage			Flow rate value	Weight	Note	Part No.
			Input	Output	DC	AC 50 Hz	AC 60 Hz	Qn			
								[l/min]	[kg]		
	NO		Ø 6x1	Ø 6x1	12 V	-	-	520	0.093	-	5794410210
			Ø 6x1	Ø 6x1	24 V	-	-	520		-	<b>5794410220</b>
			Ø 6x1	Ø 6x1	24 V	-	-	520		1); 2); 3)	5794410620
			Ø 6x1	Ø 6x1	-	24 V	24 V	520		-	<b>5794415220</b>
			Ø 6x1	Ø 6x1	-	110 V	110 V	520		-	5794415270
			Ø 6x1	Ø 6x1	-	230 V	230 V	520		-	5794415280
			Ø 6x1	Ø 6x1	-	230 V	230 V	520		3)	5794415680
			Ø 8x1	Ø 8x1	12 V	-	-	600		-	5794610210
			Ø 8x1	Ø 8x1	24 V	-	-	600		-	<b>5794610220</b>
			Ø 8x1	Ø 8x1	24 V	-	-	600		1); 2); 3)	5794610620
			Ø 8x1	Ø 8x1	-	24 V	24 V	600		-	5794615220
			Ø 8x1	Ø 8x1	-	110 V	110 V	600		-	5794615270
			Ø 8x1	Ø 8x1	-	230 V	230 V	600		-	<b>5794615280</b>
			Ø 8x1	Ø 8x1	-	230 V	230 V	600		3)	5794615680

MO = Manual override

1) with LED and protective diode for reducing voltage peaks in the solenoid coil, short circuit protected

2) power consumption 1,7 W

3) LED status display : Red

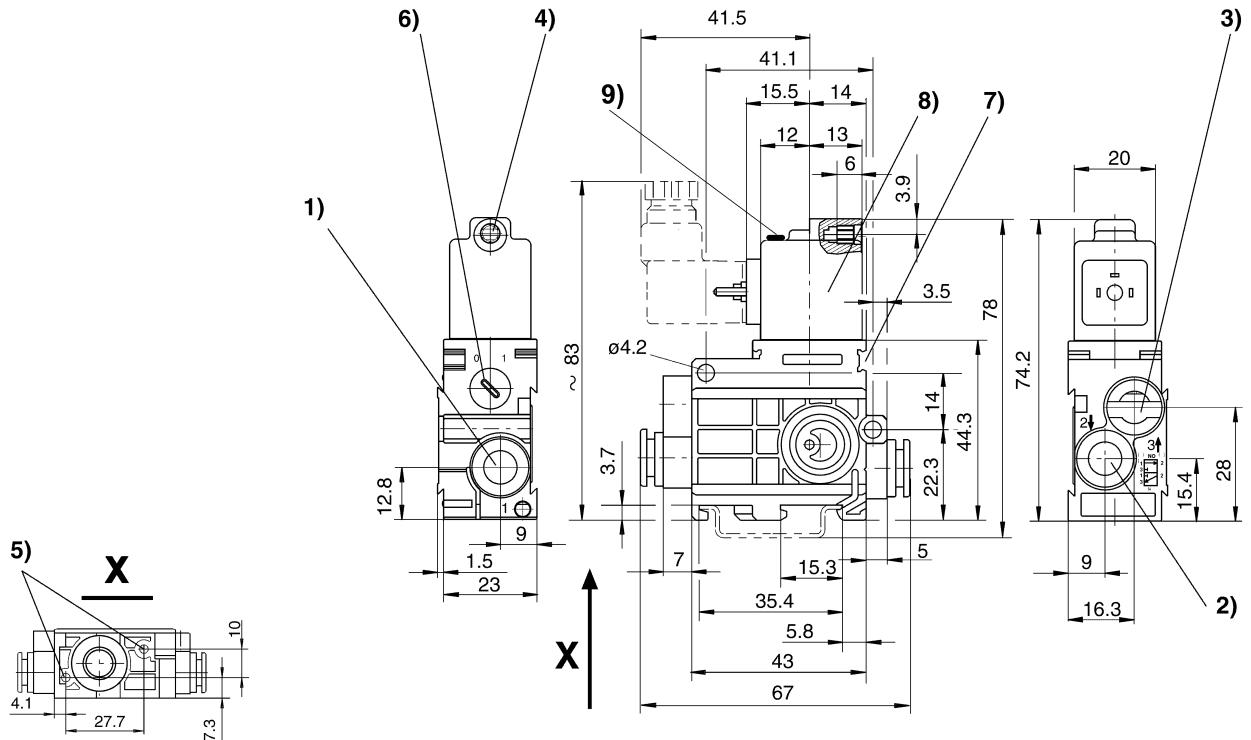
Nominal flow Qn at 6 bar and  $\Delta p = 1$  bar

## Directional valves → Electrically operated

**3/2-way valve, Series 579**

► Qn = 520 - 600 l/min ► pipe connection ► compressed air connection output: Ø 6x1 - Ø 8x1 ► Electr. connection: Plug, ISO 15217, form C ► single valve ► manual override: with detent ► NO

## Dimensions



D579\_460

- 1) Port 1
- 2) Port 2
- 3) Port 3, exhaust air must not be throttled
- 4) Core Ø for M5
- 5) Pocket hole 6 mm deep for 3.5 self-tapping screw
- 6) Manual override
- 7) Mounting space for name plate
- 8) Coil can be rotated at 180° intervals
- 9) LED